

IZERWAREN



Izerwaren Inc. New Hardware Products for Yacht and Ships



New Products 2023

Non Corrosive Fine Building and Ships Hardware



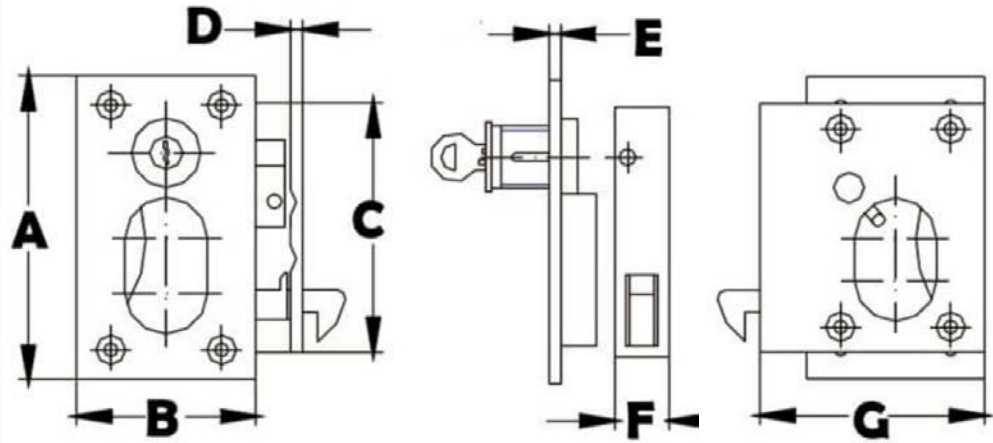
Outside US Left Hand with Key Lock
#16.1786L Entry Pocket door lock Left Hand Outside Set
#16.179L Passage Pocket door latch US left hand side

Strike plate

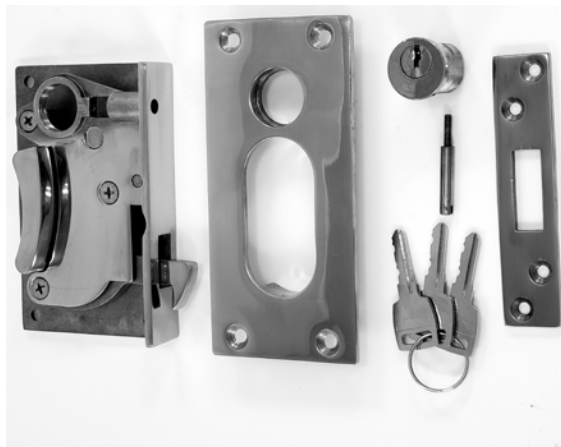
mm

Inside US Left Hand with release lever

Polished Stainless Steel Minimum Doorthickness: 1 1/4 inch or 32 mm



Showing Left Hand Outside Locking #16.1786L Right hand: #16.1786R
A) 5-1/16" B) 2-7/16" C) 4-3/8" D) 5/32" E) 1/8" F) 3/4" G) 3"



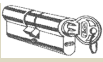
All Parts Showing



#16.350W set: Small Marine Privacy lock; Stainless Steel. For doors with a minimum thickness of 1 1/8" or 29 mm
Backset 40 mm or 1 9/16



#16.350F set: Small Marine Passage lock; Stainless Steel. For doors with a minimum thickness of 1 1/8" or 29 mm
Backset 40 mm or 1 9/16

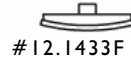
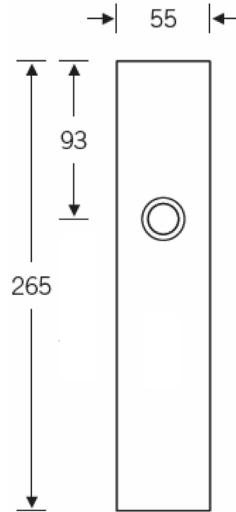


Izerwaren
Order
numbers

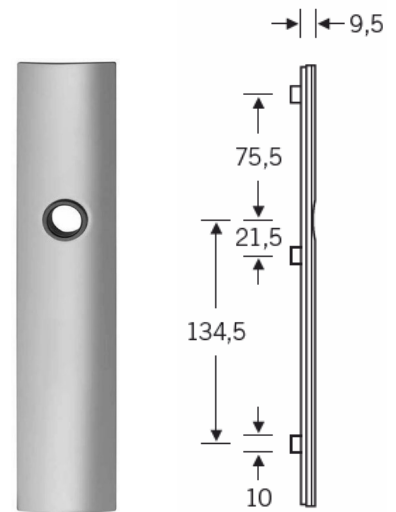
- Stainless Steel Escutcheons for marine locks
- Specify Finish:
 - Satin stainless steel
 - Mirror Polished stainless steel

12.1433F **Stainless steel escutcheon plate**

Passage model
Square corners, 265 x 55 x 9.5 mm
Clip on style with inner escutcheon
Screws invisible



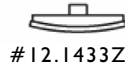
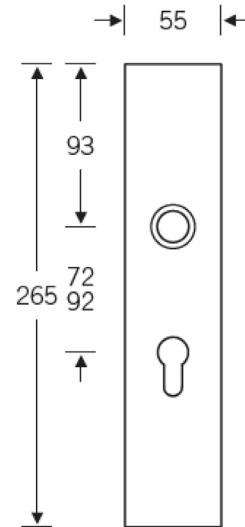
12.1433F



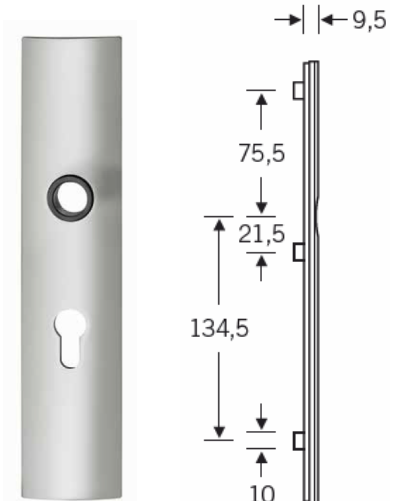
Clip on escutcheon #12.1433F with inner plate
Square corners, 265 x 55 x 9.5 mm
10 1/2 x 2 3/16 x 3/8 inch
Stainless steel
Renovation Style

12.1433Z **Stainless steel escutcheon plate**

Entry Model
Square corners, 265 x 55 x 9.5 mm
Clip on style with inner escutcheon
Screws invisible



12.1433Z



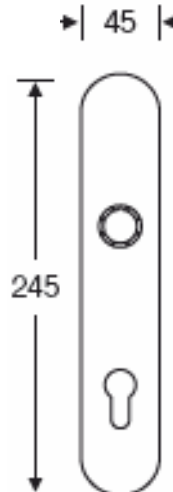
Clip on escutcheon #12.1433Z with inner plate
Square corners, 265 x 55 x 9.5 mm
10 1/2 x 2 3/16 x 3/8 inch
Stainless steel; Renovation Style

12.1433W **Stainless steel escutcheon plate**

Privacy Model (not shown)
Square corners, 265 x 55 x 9.5 mm
Clip on style with inner escutcheon
Screws invisible

12.222 **Stainless steel escutcheon plate**
with round corners, 245 x 45 x 10 mm
Screws invisible

12.1410 **Stainless steel escutcheon plate**
with square corners, 245 x 45 x 10 mm
Screws invisible



#12.222



#12.222 round #12.1410 square
Stainless steel with clip with inner plate

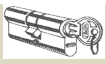
For Narrow Style Doors:
See pages 1-9-1 and 1-14- and 1-14-A
Cropped lever 12.021: See page 1-1-2

All Lever Models: Page 1-2



**Entry Lock with 55 mm / 2 3/16" Backset for Full Size Marine Doors and Weather Doors.
Minimum Door Style thickness: 90 mm / 3 3/4"**

Escutcheon #12.1433 Convex Stainless Steel; Size 265 x 55 mm (10 1/2" X 2 3/16")
Lever #12.527; Mechanism #14.73Z; Keyway #1400 series



MARINE GRADE STAINLESS STEEL RIM SETS SEE CHAPTR ONE FOR DETAILS



Rose #12.1110F Lever #12.576
Thumb-turn set #12.1735



Rose 12.1798 Lever #12.567
Thumb-turn set #12.1735



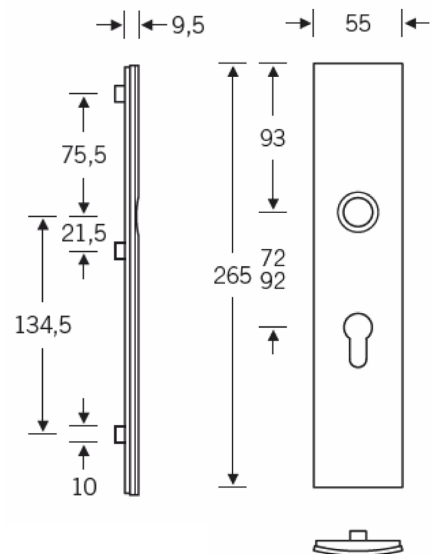
Rose 12.1703 Lever #12.1004



Rose 12.1705 Lever #12.1004



Escutcheon #12.1433 Convex Stainless Steel
Size 265 x 55 mm (10 1/2" X 2 3/16")
Lever #12.576



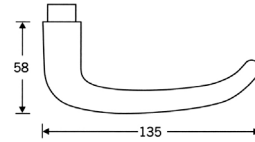
**See Catalog Chapter I Page for details
Satin and Mirror Polished Finish**



Stainless steel levers for full size mortise marine locks Finish: satin or mirror polished stainless steel

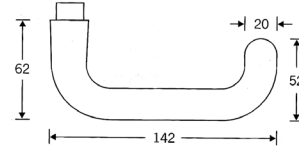
Izerwaren
Order
Numbers

12.527 Lever Classic; 135 mm long



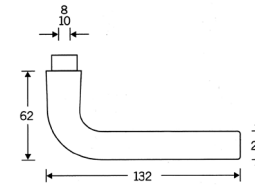
Lever Classic # 12.527; 135 mm long; stands off 58 mm
Rose #12.110; 55 mm diameter

12.045 Lever U shape; 131 mm long



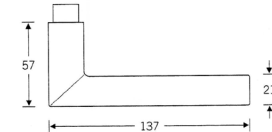
Lever #12.045; 142 mm long; stands off 64 mm; 20 mm diameter

12.547 Lever L shape; 132 mm long
Round corner



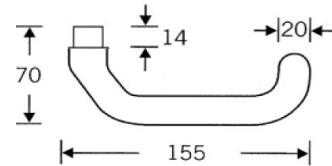
Lever #12.547; 132 mm long; stands off 64 mm; 20 mm diameter

12.576 Lever L shape; 132 mm long
Square corner



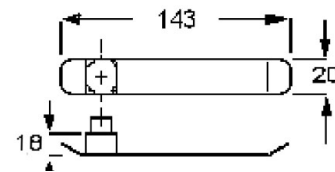
Lever #12.576; 137 mm long; stands off 57 mm; 20 mm diameter

12.021 Lever Cropped; 155 mm long



Lever #12.021; 155 mm long; stands off 56 mm; 20 mm diameter

12.53F Lever Semi Flush; 143 mm long



Lever #12.53F; 143 mm long; stands off 25 mm with standard plate; 20 mm wide

12.555 Lever Semi Flush; 120 mm long



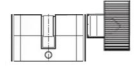
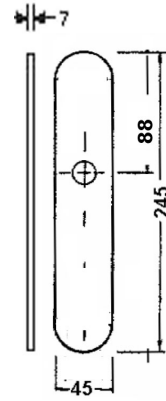
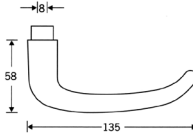
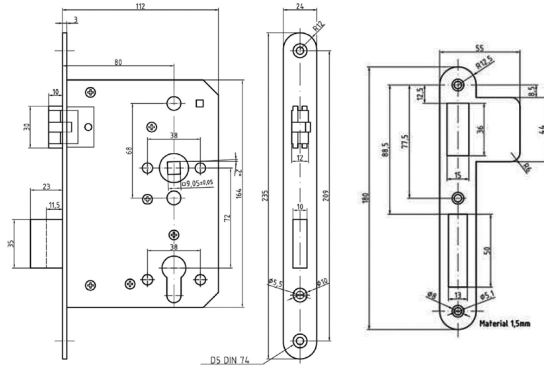
Lever #12.555; 120 mm long; stands off 25 mm; 20 mm wide; Rounded front

12.329SF #12.329SF Thumb-turn 30 x 10 mm
On rose #12.1005 flat
Details on roses and escutcheons
See page 1-2.

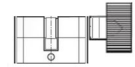
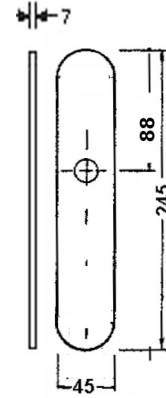
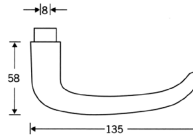
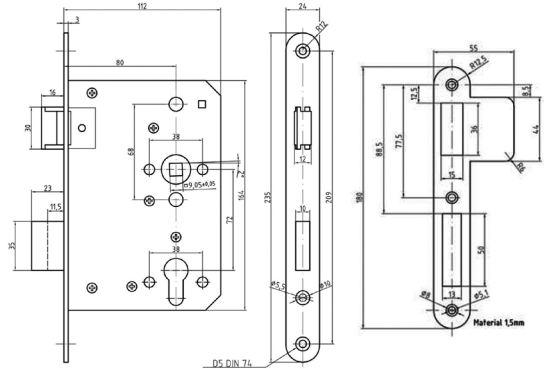


Lever #12.5SF; 95 mm long; stands off 25 mm with standard plate; 20 mm wide
Use Lever Handles with Roses or Escutcheon Plates; See page 1-2 for details

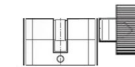
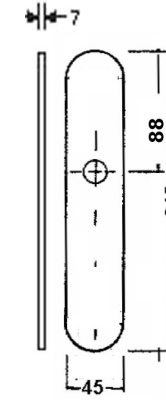
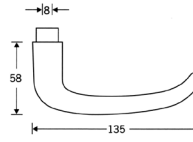
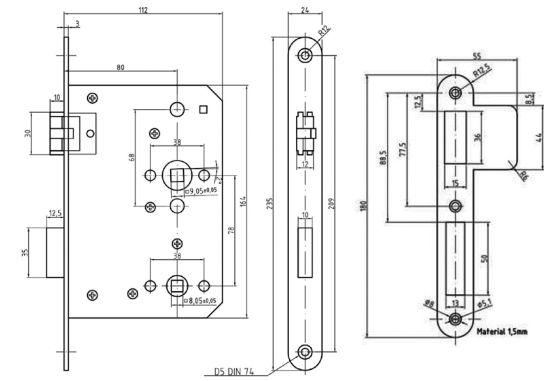
12.5SF Lever Semi Flush; 95 mm long



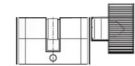
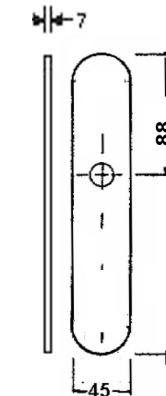
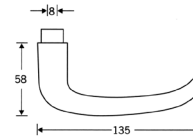
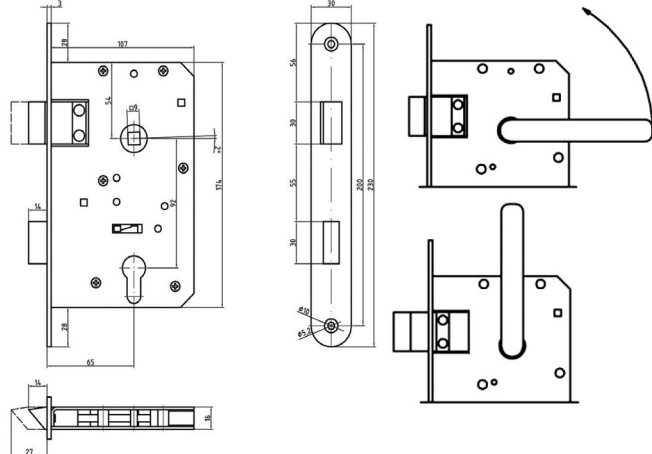
Entry lock set #14.3127ZE 80 mm backset with lever and escutcheons and keyway



Entry lock set #14.3127ZE? 80 mm backset With Long solid 16 mm latch bolt

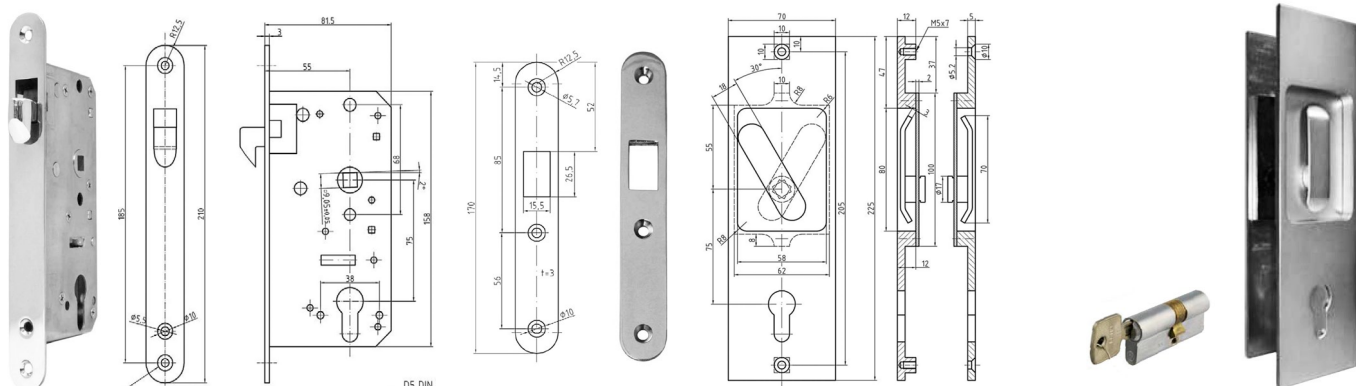


Privacy lock set #14.3127ZE? 80 mm backset with lever and escutcheons and thumb-turn / indicator

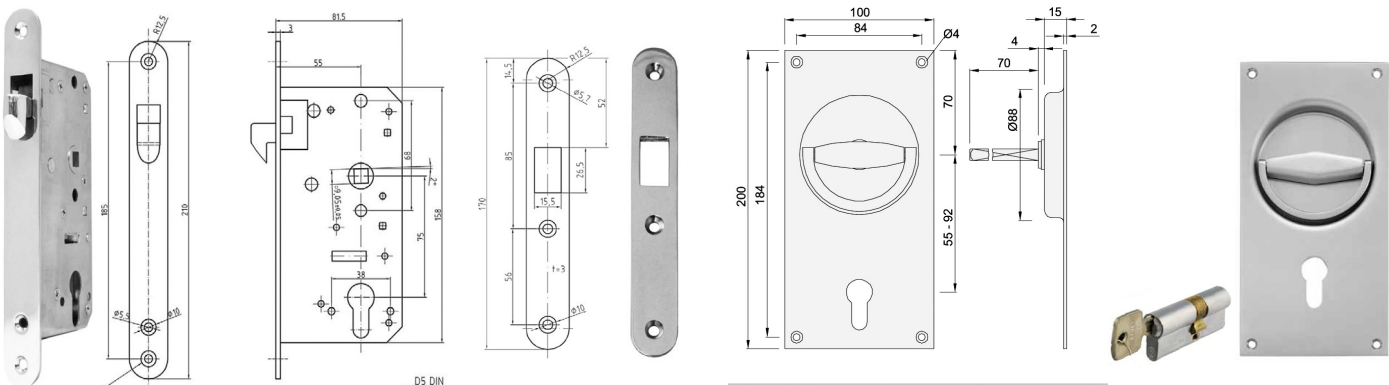


Set: 14.530ZE Torque lock; 65 mm backset; Function: By tilting lever upward 90 degree latch bolt extend 14 mm; Latch bolt protrudes 27 mm total
Lock separate: #14.531 Right hand #14.532 Left hand. Set comes with lever and escutcheons plates and keyway

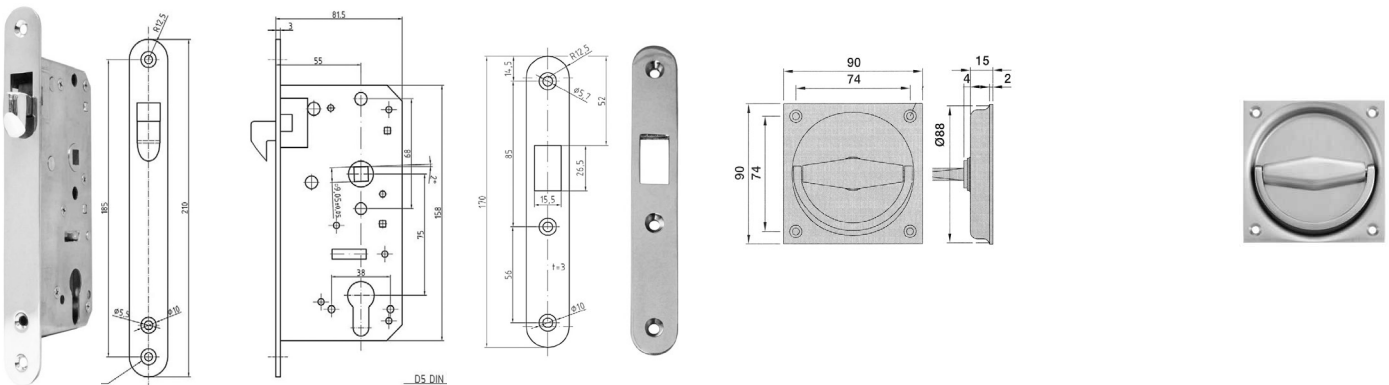
See for separate parts: Page 1-4-D. Other trim options details: See pages 1-1-2 and 1-2.



#13.81Z6 SET Stainless steel sliding entry mortise lock and trim. Minimum Door thickness: 1 3/4". This Set Consists of: #13.81Z: Sliding door lock with backset 55 mm; Strike plate; Profile cylinder keyway; #13.610Z Flush Trim Set This Flush Lever Set protrudes from surface of the door 3/16 inch on each side; Minimum door thickness: 1 3/4 inch. Size plate: 2 3/4 x 8 7/8 inch



Entry Lock SET #13.81Z7; 55 mm backset; Minimum Door thickness: 1 3/4"; With two #51.004 Stainless Steel Flush Levers on Plates. Keyway included. This Flush Set protrudes from surface door: 3/32 inch; Minimum door thickness: 1 3/4 inch. Size plate: 3 15/16 x 7 7/8 inch .



Passage Lock Set #13.81F8; 55 mm backset; Door thickness: 1 3/4"; With two #51.016 Stainless Steel Flush Levers on Plates This Flush Set protrudes from surface door 3/32 inch on each side; Minimum door thickness: 1 3/4 inch. Size plate: 2 9/16 x 2 9/16 inch.



#18.3786 SET Entry Sliding door lock
Min. door thickness: 38 mm or 1 1/2 inch

#18.3838 Privacy Sliding Door lock
min. door thickness: 25 mm or 1 inch

#18.3796 Passage Sliding door lock
min. door thickness: 25 mm



#19.83Z50 Set:

Stainless Steel Entry Lock with 50 mm (2 inch) backset for framed doors.

Minimum stile width 3 3/8"



#19.82Z.25

Set stainless steel narrow style marine entry lock.

Backset 25 mm. Minimum Stile width: 2 ¼"



#14.NSS.008

Narrow Style Stainless Steel Sliding Entry Door Lock with 18 mm (3/4 inch) Backset

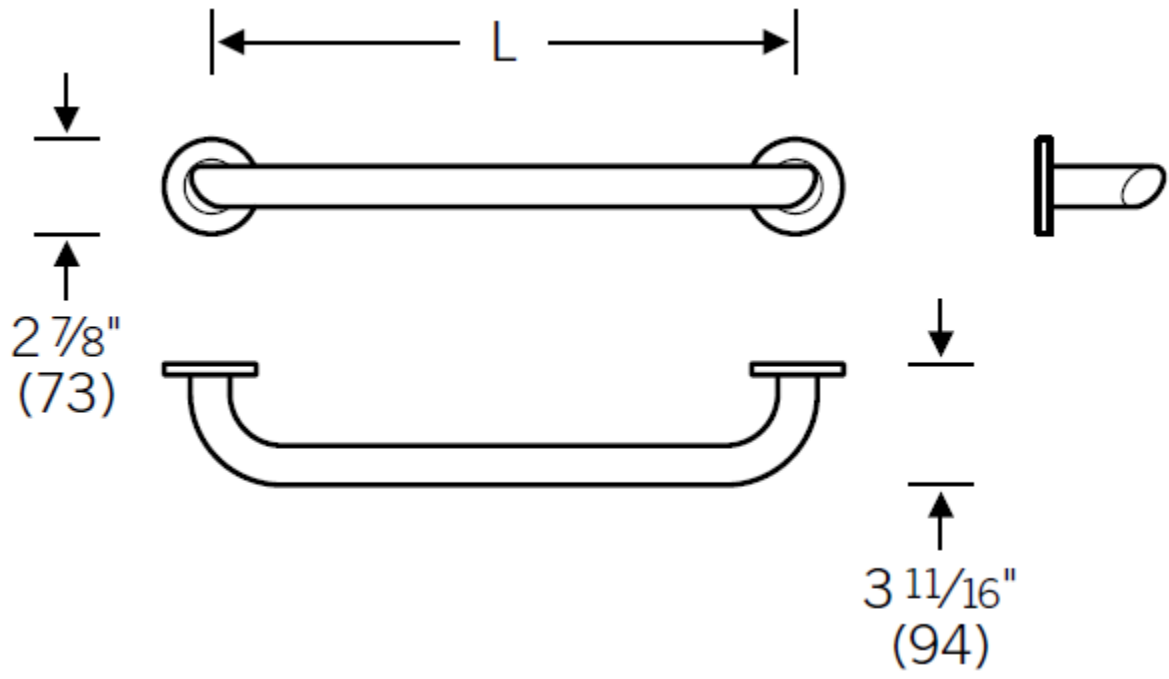
Lock case 40 mm wide (1 9/16 inch).



#14.NSS.009

Stainless Steel Narrow Backset Entry Sliding Door Lock 40 mm (1 9/16 inch) backset

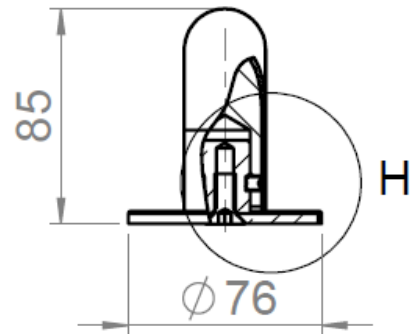
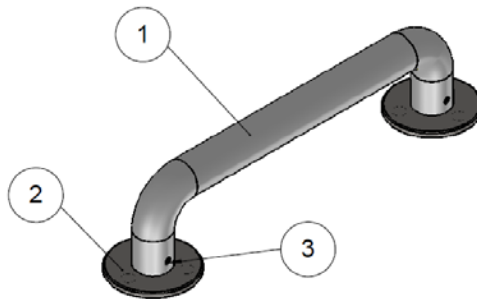
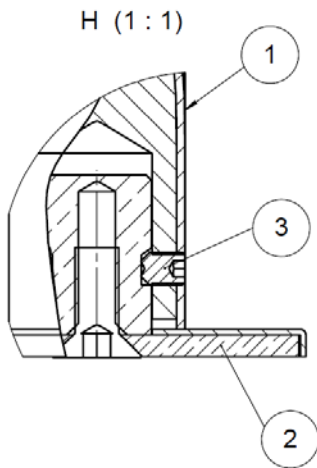
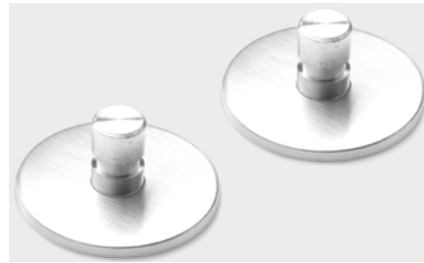
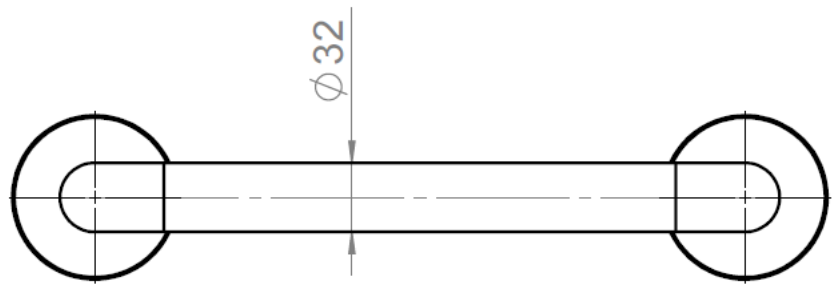
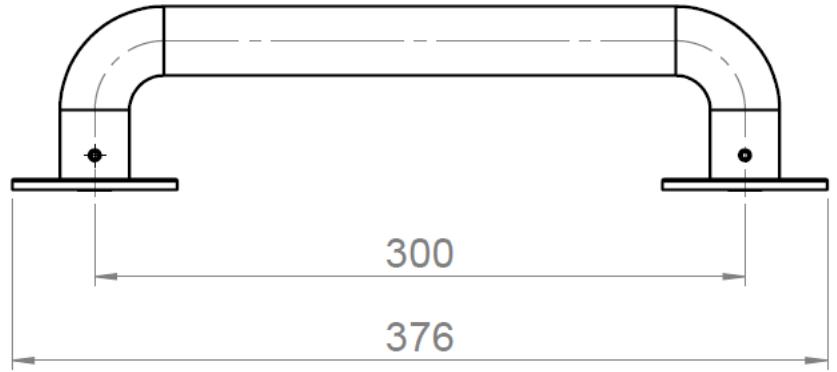
Lockcase is wide 61 mm (2 3/8 inch)



82 8201



grab bar

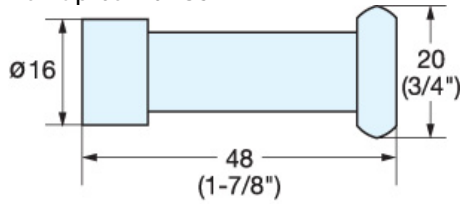


#15.323 Grab Bar / Deck Step Hand Pull. 32 mm / 1 1/4 inch diameter
#15.963 Thrust roses 80 mm / 3 1/8 inch diameter



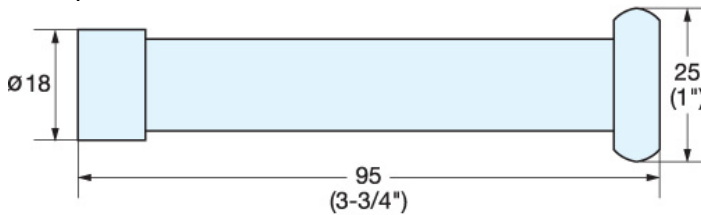
Izerwaren
Order
numbers
48.520

**Coat and towel hook
with M6 thread**
48 long x 20 mm diameter
316 stainless steel
Front mounting or back mounting
For up to 20 lbs



48.525

**Coat and Towel Hook
with M6 thread**
95 long x 25 mm diameter
316 stainless steel
Front mounting or back mounting
For up to 20 lbs

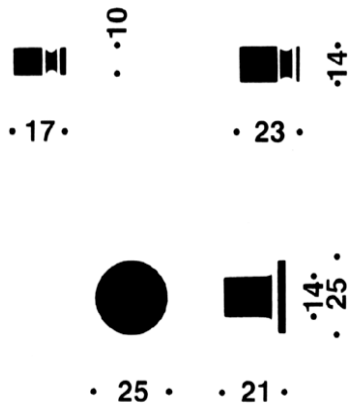


15.030

Thrust-Roses for Hooks 30 mm x 1.5 mm
316 stainless steel

48.6799

Special **M6 through bolts** for back mounting

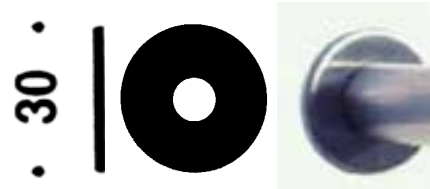


316 Stainless Steel Coat Hooks and Towel Hooks



#48.520 Coat Hook / Towel Hook
1 7/8" long x 3/4" diameter; M6 thread

#48.525 Coat hook.
3 3/4" long x 1" diameter; M6 thread

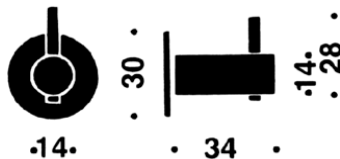


15.030 Thrust-Roses for Hooks 30 mm x 1.5 mm
316 stainless steel



#15.016 10 Ø x 17 mm hook cylindrical
3/8 Ø X 5/8" with notch

- 15.016 #15.016 10 Ø x 17 mm hook cylindrical
- 15.010 #15.010 14 Ø x 23 mm hook cylindrical
- 15.000 #15.000 14 Ø x 34 mm hook with edge 25 mm



- 15.005 #15.005 14 Ø x 34 mm Hook with Pin & Thrust Rose
- 15.030 #15.030 30 Ø mm Thrust Rose

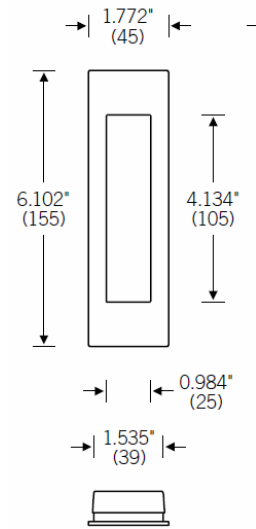


- #15.010 14 Ø x 23 mm hook cylindrical
- #15.000 14 Ø x 34 mm hook with edge 25 mm
- #15.005 14 Ø x 34 mm hook with hook



IZERWAREN
Order
numbers

Flush levers and Pulls
Sliding Door Locks



Set: Flush pulls 13.4251 | Spring loaded cup Minimum door thickness: 1 1/2" (38 mm)
Size: 155 x 45 mm 6 1/16 x 2 3/4 inch

13.42511 **Flush Pulls, spring loaded cup**
155 x 45 mm 6 1/16 x 2 3/4 inch
For 1 1/2 inch door thickness

13.42510 **Flush Pulls, with hole**
155 x 45 mm 6 1/16 x 2 3/4 inch
For 1 1/2 inch door thickness

13.42512 **Flush Pulls, with small hole**
155 x 45 mm 6 1/16 x 2 3/4 inch
For 1 1/2 inch door thickness

- 42 4251 00000 (open)
- 42 4251 00001 (spring loaded cover)
- 42 4251 00002 (half open)



#13.42510
with cup



#13.42511
spring loaded



#13.42512
with slot

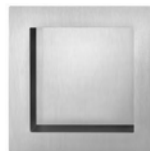
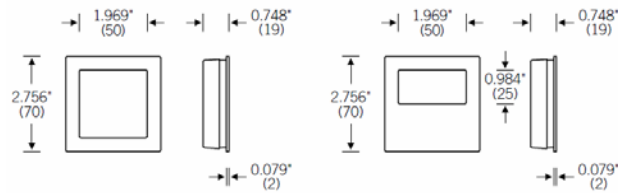
70 x 70 mm; 2 3/4 x 2 3/4 inch; Minimum door thickness: 1 1/2" (38 mm)
Stainless steel

13.42530 **Flush Pulls, Square with hole**
70 x 70 mm 2 3/4 x 2 3/4 inch
Stainless steel

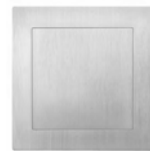
13.42531 **Flush Pulls, Square spring loaded**
70 x 70 mm 2 3/4 x 2 3/4 inch
Stainless steel

13.42532 **Flush Pulls, Square with slot**
70 x 70 mm 2 3/4 x 2 3/4 inch
Stainless steel

- 42 4253 00000 (open)
- 42 4253 00001 (spring loaded cover)
- 42 4253 00002 (half open)



Flush pulls #13.42530
with cup



#13.42531
spring loaded



#13.42532
with slot

70 x 70 mm; 2 3/4 x 2 3/4 inch; Minimum door thickness: 1 1/2" (38 mm)
Stainless steel

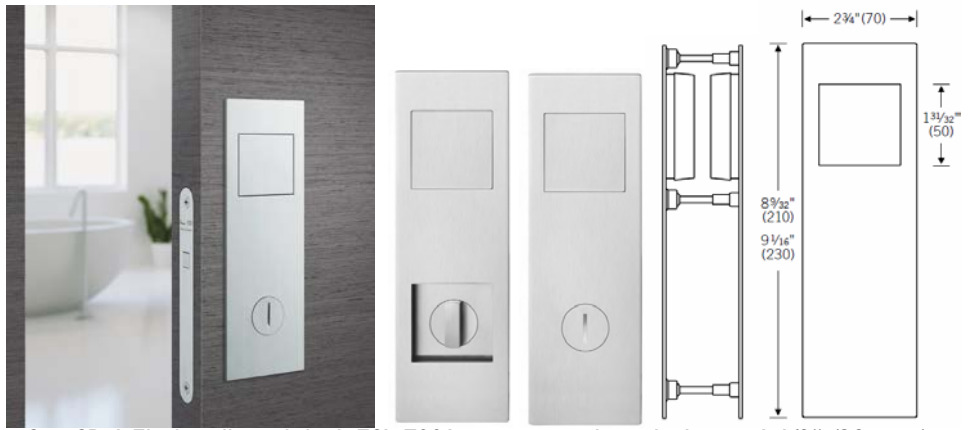


Izerwaren
Order
numbers

Flush levers and Pulls
Sliding Door Locks

13.SB170

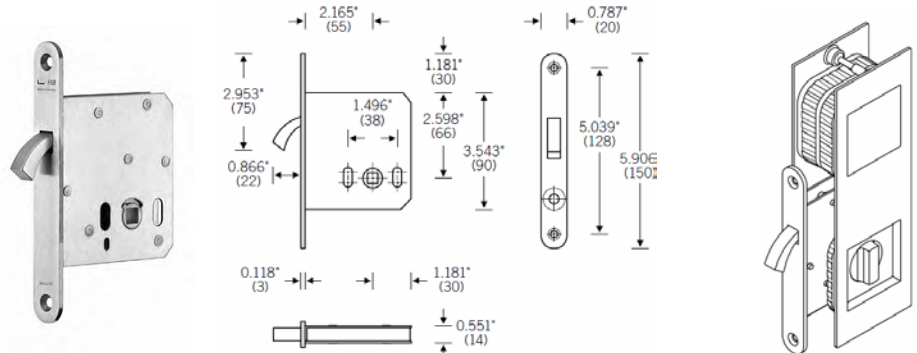
Flush Pulls, Privacy set
230 x70 mm 9 1/16 x 2 3/4 inch
For 1 1/2 inch door thickness
Flush pulls with flaps and
Thumb-turn / indicator included
Parts separate: Page 5-I-E



Set: SB-I Flush pulls with lock ESL 7001 minimum door thickness: 1 1/2" (38 mm)

13.7001

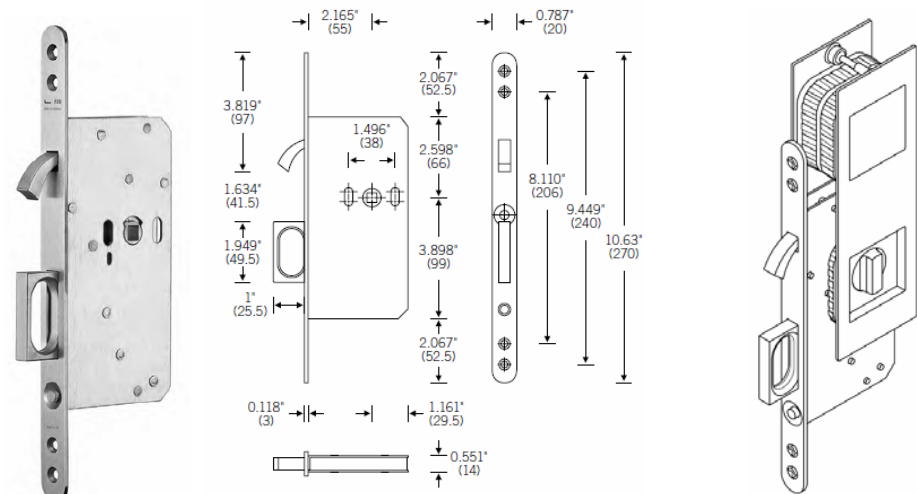
Sliding door lock
55 mm backset ~ 2 3/16 inch
Stainless steel front plate
Steel parts, interior grade



Series ESL 7001 passage lock 55 mm backset; satin stainless finish, steel parts

13.7002

Sliding door lock, edge pull
55 mm backset ~ 2 3/16 inch
Stainless steel front plate
With edge pull
Steel parts, interior grade



Series EPL 7002 passage lock 55 mm backset with edge pull
satin stainless finish, steel parts, interior grade

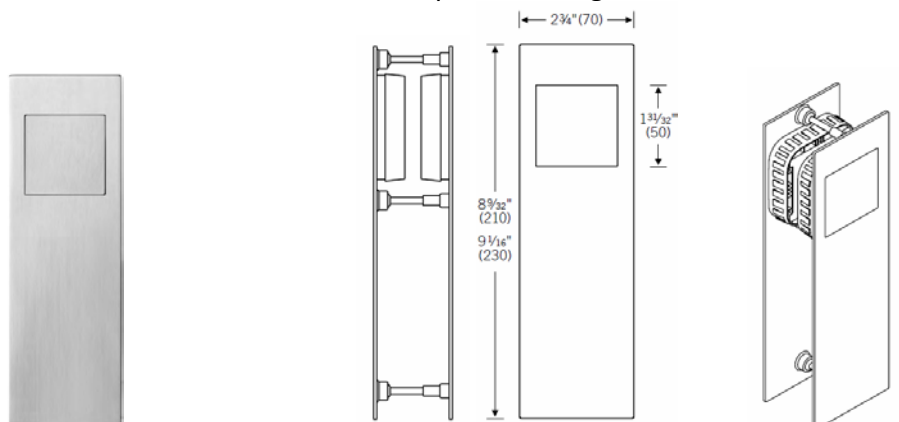


Picture showing double door set

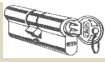
13.SB007

**Flush Pulls with push/flap
lever, set**
230 x70 mm 9 1/16 x 2 3/4 inch
For 1 1/2 inch door thickness

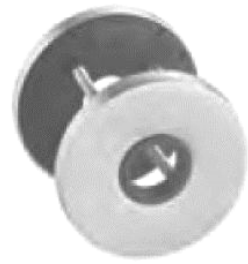
Parts separate: Page 5-I-E



Flush trim set 13.SB007 Dummy set pulls for sliding doors. Min. door thickness: 1 1/2 inch



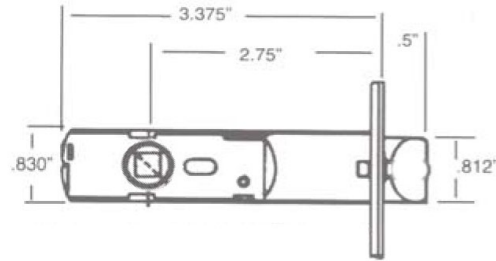
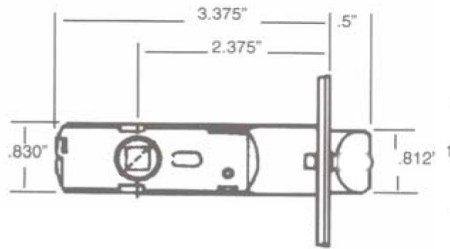
IZERWAREN
Order
numbers



Passage bolt with standard strike
60 mm or 2 3/8 inch backset
70 mm or 2 3/4 inch backset

roses #12.173114

12.723238
12.723234



Tubular passage and privacy latch 2 3/8 inch backset

2 3/4 inch backset



Privacy bolt with strike ; pin operated.
60 mm backset or 2 3/8 inch
70 mm backset or 2 3/4 inch

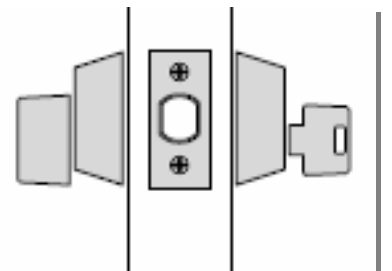
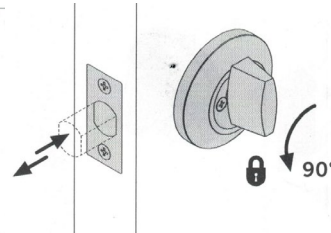
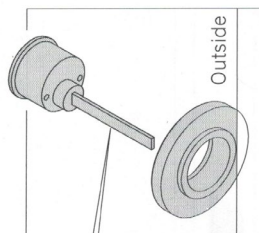
roses #12.173115

12.724238
12.724234

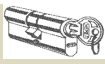


Privacy Bolt; 2 3/8" backset #12.1704 Privacy set square roses #12.1735 Privacy set round roses
with strike box; Roses 55 x 55 mm or 65 x 65 mm see page 1-2-2

12.725238 Dead Bolt 2 3/4" backset with strike box
12.725234 Dead bolt 2 3/8" backset with strike box;



12.238134 #12.238134 Deadbolt with 2 3/8" backset. For standard Key/Thumb-turn setup.



Izerwaren
Order
numbers

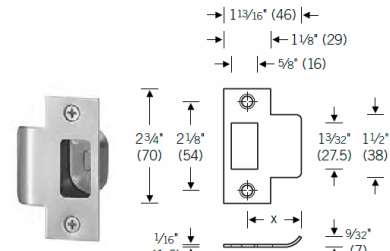
- Tubular latch sets; steel parts Interior Grade
- Satin stainless steel
- Mirror Polished stainless steel



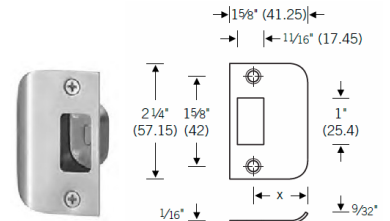
12.723238 Passage bolt with standard strike Sample roses #12.173114
 HLL 7230 6204 238 60 mm backset or 2 3/8 inch
 12.723234 HLL 7230 6204 234 70 mm backset or 2 3/4 inch



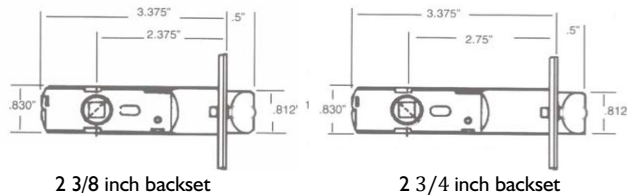
12.724238 Privacy bolt with strike ; pin operated. Sample roses #12.173115
 HLL 7240 6204 238 60 mm backset or 2 3/8 inch
 12.724234 HLL 7240 6204 234 70 mm backset or 2 3/4 inch



Strike plate #12.1001 stainless steel



Strike plat #12.1003 stainless steel



2 3/8 inch backset

2 3/4 inch backset



12.725238 Dead Bolt 2 3/8" backset with strike box; #12.1704 Privacy set square roses
 12.725234 Dead Bolt 2 3/4" backset with strike box



12.725238 Dead bolt 2 3/8 backset with strike box; #12.1735 Privacy set round roses
 12.725234 Dead Bolt 2 3/4 inch backset with strike bolt

HDD 7240 6204 238 60 mm backset or 2 3/8 inch
 HDD 7240 6204 234 70 mm backset or 2 3/4 inch

Function R = one sided - thumb turn only - please specify
 Function S = both sided thumb turn indicator - please specify



#13.3295RS thumb-turn only with square rose
 #13.3296RS indicator only with square rose



#13.3293RF thumb-turn only with round rose
 #13.3294RF indicator only with round rose



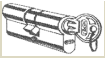
Privacy bolt #12.725238 & Thumb-turn set #12.1704
 Passage latch #12.723238
 With rose pair #12.1703 and Lever pair #12.1251
 Satin Stainless Steel Finish



Privacy bolt #12.725238 & Thumb-turn set #12.1735
 Lever #12.1183; Rose #12.173114
 Satin Chrome finish



#12.42311 dummy bolt with blank faceplate;
 for bore hole 3/4 inch hole and 8x8 mm spindle
 One side mounting possible
 Both sides mounting possible
 05 0423 00110



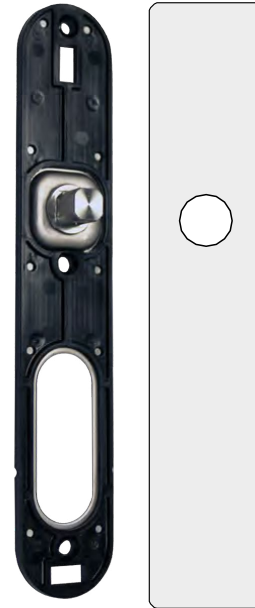
DUMMY SETS



#12.4231 | dummy SET with separate face plate (not shown) roses and lever #12.045

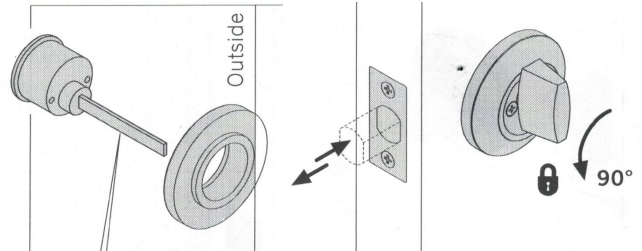
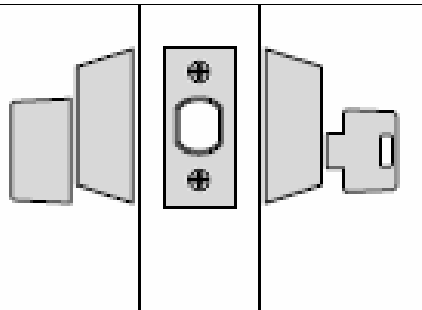


#12.42315 DUMMY SET WITH SQUARE OR ROUND 65 MM ROSES, LEVERS
#12.42313 DUMMY SET WITH SQUARE OR ROUND 55 MM ROSES, LEVERS



#12.42314 SET: DUMMY WITH ESCUTCHEON #12.1410 245X45 MM

KEYWAY/THUMBTURN SET

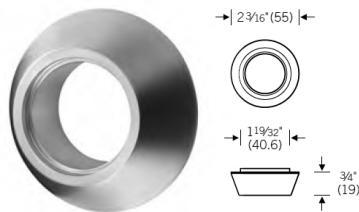


DEADBOLT WITH SCHLAGE KEYWAY #12.238134 BACKSET 2 3/8" FUNCTION KEY/ KNOB

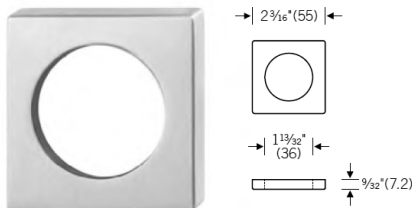
ROSES FOR KEYWAY

DA

03 0450 09011 ■■
2 3/16" (55 mm) x 3/4" (19 mm)

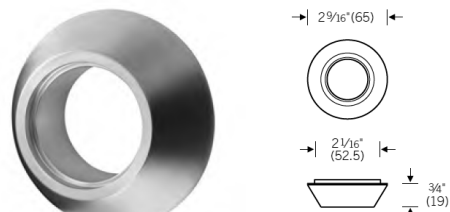


17 1704 12601 ■■

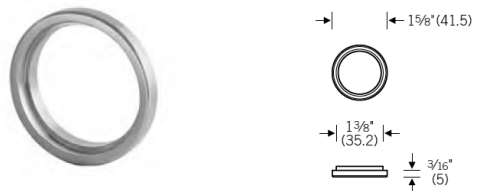


DD

03 0450 09010 ■■
2 3/16" (65 mm) x 3/4" (19 mm)

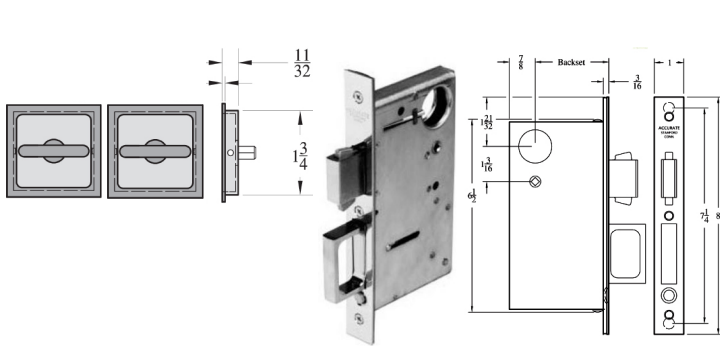


03 0450 09013 ■■
1 3/8" (35 mm) x 3/16" (5 mm)

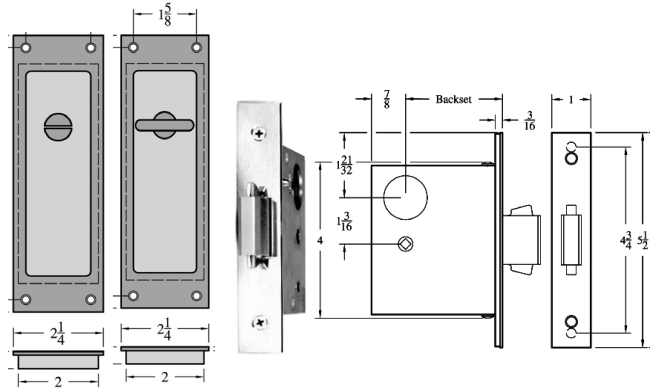




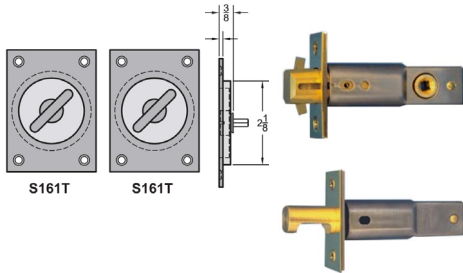
Pocket door locks for door thickness 1 3/8". Steel parts. Interior Grade



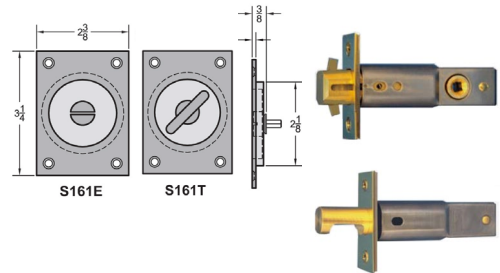
SET: 13.PASB002 Passage Pocket Door Latch Set. With full size mechanism and spring loaded edge pull ; Square flush escutcheon 2 x 2 inch with thumb-turns; **MINIMUM DOOR THICKNESS: 1 3/8"**



SET: 13.PR002 Passage /privacy set with mortise latch rectangular flush pulls 2 1/4 x 5 9/16 inch; with thumb-turn/indicator **MINIMUM DOOR THICKNESS: 1 3/8"**



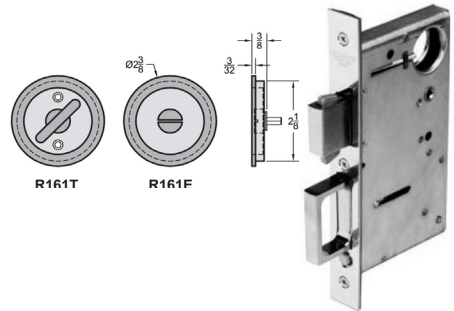
SET: 13.PAS161 Passage set with separate tubular mechanism and spring loaded edge pull ; Rectangular flush escutcheons with thumb-turns; **MINIMUM DOOR THICKNESS: 1 5/8" or 41 mm**



SET: 13.PRS161 Privacy set with separate tubular mechanism ; spring loaded edge pull ; flush escutcheons with thumb-turn and indicator; **MINIMUM DOOR THICKNESS: 1 5/8" or 41 mm**

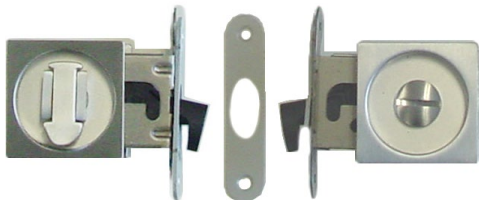


SET: 13.PAR161 Passage set with full mortise mechanism with spring loaded edge pull ; ROUND flush pull with thumb-turns; 2 3/8 inch diameter. **MINIMUM DOOR THICKNESS: 1 3/8"**



SET: 13.PRR161 Privacy set with separate tubular mechanism and spring loaded edge pull ; Round flush escutcheon with thumb-turn and indicator; **MINIMUM DOOR THICKNESS: 1 3/8"**

flush cups with turning lever / indicator

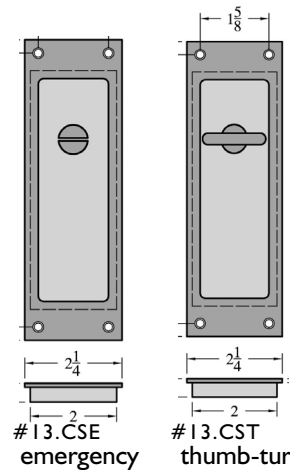


13.R95; Sliding Lock Set Privacy with Flap lever with mechanism; **MINIMUM DOOR THICKNESS: 1 1/2"**; size square cups: 2 1/6" x 2 1/16".

FOR DETAILS LOCK PARTS SEE PAGE 5-2-E

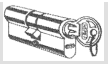


Flush lever set #13.CST with lock #16.S04W **MINIMUM DOOR THICKNESS: 1 1/4"** Lever protrudes 5/16" from surface on each side of door

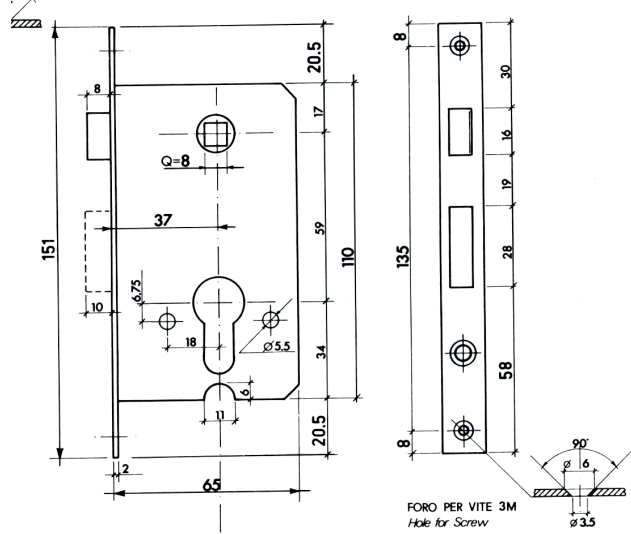
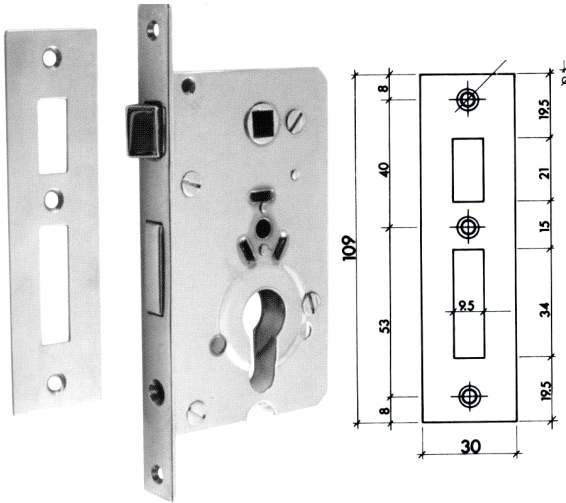


#13.CSE emergency

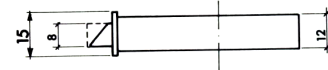
#13.CST thumb-turn



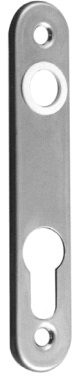
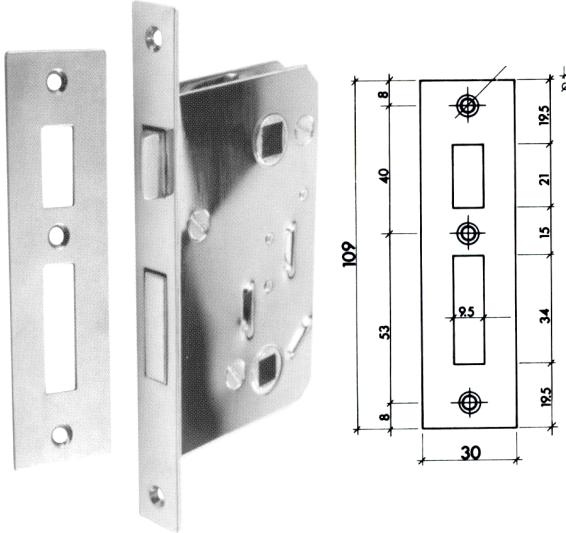
NEW! R & C SWINGING DOOR LOCKS FOR SMALL DOORS MINIMUM DOOR THICKNESS 1 INCH



18.3483 SET with escutcheons and levers; Entry Lock; 37 mm (1 1/2)backset.
Face plate: 151 x 15 x 2 mm; Lock case: 110 high x 65 wide x 12 mm thick. Center to Center PC: 59
Escutcheon plate: mm, Lever mm long overall.



Marine grade; stainless steel and brass chrome plated parts.



18.3474 SET with escutcheons and levers; Privacy Lock; 37 mm (1 1/2) backset.
Face plate: 133 x 15 x 2 mm; Lock case: 93 high x 55 wide x 12 mm thick. Center to Center spindle hole: 62 mm
18.3819 Escutcheon plate: 135 x 25 mm, 18.3485 Lever 84 x 38 mm long overall.
Marine grade; stainless steel and brass chrome plated parts.

3485

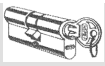
3818

3819

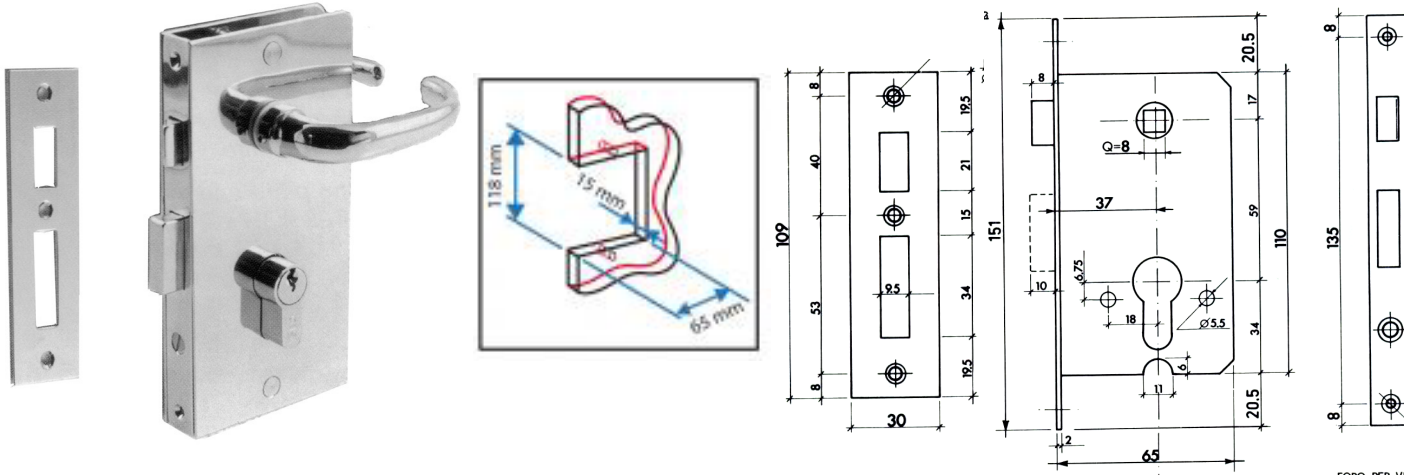
3840

- #18.348337 Entry lock separate
- #18.3472 Strike plate for entry lock separate
- #18.3485 Levers pair separate
- #18.3840 Escutcheons for entry lock separate
- #18.347437 Privacy latch separate
- #18.3472 Strike for privacy latch
- #18.3819 Escutcheons for privacy lock separate
- #18.402337 Passage latch; 18.3818 passage escutcheons; (latch not showing)





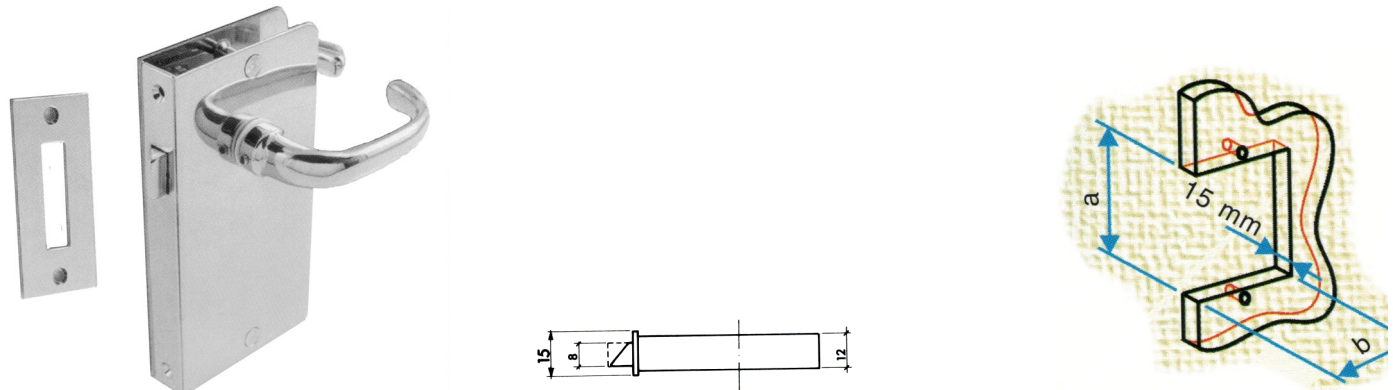
**R & C SWINGING DOOR LOCKS FOR PLEXIGLASS DOORS AND DOORS WITH CUTOUTS.
MINIMUM DOOR THICKNESS 5/8 INCH**



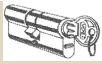
18.348330 ENTRY SET WITH COVER PLATES for PLEXIGASS AND WOODEN DOOR WITH CUTOUTS with cover plates and levers; Entry Lock; 37 mm (1 1/2) backset.
Cover plate: 70 W x 150 H x 1.5 mm; Lock case: 110 high x 65 wide x 12 mm thick. Center to Center PC: 59 mm
Cut out: Distance "a": 118 mm; Distance "b": 65 mm
Marine grade; stainless steel and brass chrome plated parts.



#18.4020 + #18.3485 **#18.4020 + lever #15.0026** **Lever #15.00076** 101 mm high x 65 mm wide
18.4020 PASSAGE SET; for PLEXIGASS AND WOODEN DOOR WITH CUTOUTS. 37 mm (1 1/2 inch) backset.
Mechanism comes with cover plates and levers.
Cover plate: 70 W x 80 H x 1.5 mm; Lock case: 12 mm thick.
Cut out: Distance "a": 101 mm; Distance "b": 65 mm; Material thickness: 15 mm (5/8 inch)
Marine grade; stainless steel and brass chrome plated parts.
2nd Picture shows Latch with lever #15.0026 (see Regutti Decorative Brochure)
Alternative: lever #15.0076 (see Regutti Decorative Brochure)



18.4019 PASSAGE SET; for PLEXIGASS AND WOODEN DOOR WITH CUTOUTS. 37 mm (1 1/2) backset.
with cover plates and levers. Cover plate: 70 W x 132 H x 1.5 mm; Lock case: 12 mm thick.
Cutout: Distance "a": 50 mm; Distance "b": 65 mm.
Marine grade; stainless steel and brass chrome plated parts.



Izerwaren
Order
Numbers

Brass rim lock, backset 37 mm - 1 1/2"
BPC polished chrome plated brass only

15.656

Entry Rim dead bolt lock
with round cylinder. For 3/4" thick doors

15.837

Strike Box
Strike Plate

15.656S

15.452

Rim Latch for knobs
Backset 1 1/2"

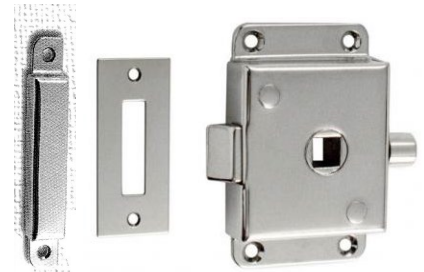
15.837

Strike box separate
Strike plate separate

15.656S



#15.656 Deadbolt rim lock
Backset 1 1/2" Cylinder Key/knob
For 1" door thickness.



Rim Latch #15.452; Backset 1 1/2"
Strike box separate #15.837
Strike plate separate: #15656S
For 8 x 8 mm spindle / knobs or levers

15.475

Entry Rim Lock with cylinder key
For 1" thick doors
For 8 x 8 mm spindle /door lever handles

15.842

Strike Box
Strike Plate

15.484S



Entry Rim Lock #15.475 for 1" doors
Entry rim lock #15.4735 for 1 1/4" doors
backset 1 1/2" Cylinder Key/Knob
Strike box separate #15.842
Strike plate separate: #15484S

15.4735

Entry Rim Lock with cylinder key
For 1 1/4" thick doors
For 8 x 8 mm spindle /door lever handles

15.026

Privacy Rim Lock
8 x 8 mm spindle for lever handles
Thumb/turn

15.842

Strike Box
Strike Plate

15.484S



Privacy Rim Lock #15.026 backset 1 1/2"
Strike box separate #15.842
Strike plate separate: #15484S
Suitable trim:

15.71Z

Dead Bolt Rim Lock
w. round cylinder 25 mm back set
Case: 60 mm x 78 mm x 12 mm thick

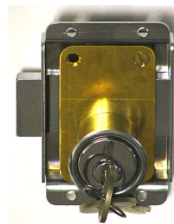
05.522

Round cylinders series #690;
23 diameter x 20 / 25 / 30 mm long
Specify door thickness

15.924

Strike Box

Other Suitable trim:



Dead bolt Rim Lock #15.71Z
Backset: 25 mm



3485

3818

#16.087 Knob, Rose #16.924

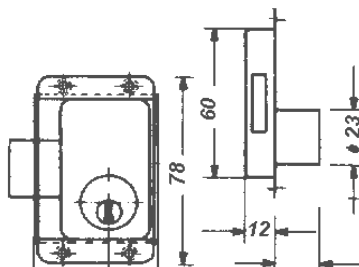


#18.740 Lever, Rose #16.924



#16.012 Thumb-turn, Rose #16.924

See page I-10 for more trim set



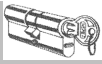
Dead bolt Rim Lock #15.71Z
25 mm backset
For 3/4"; 1" and 1 1/8" door thickness



3819

3840

See page I-13-C for details



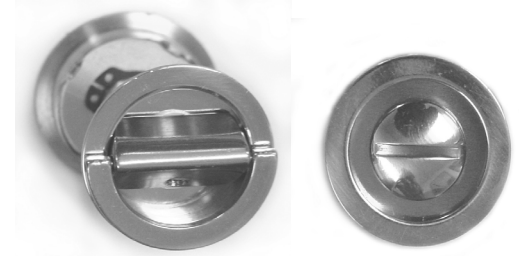
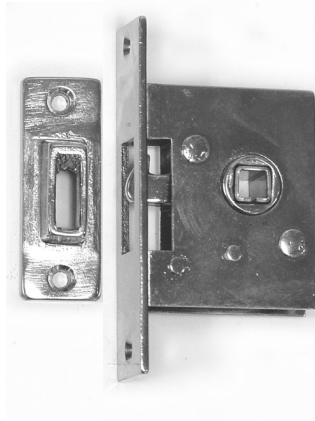
Izerwaren
Order
numbers

- Mortise lock, backset 26 mm 1"; strike included
- Pocket doors: Minimum door thickness using flush escutcheon plates on both sides: 32 mm ~ 1 1/4".
- Set with two levers: passage set
- Set with lever and indicator: privacy set
- Finish: polished chrome plated or polished brass lacquered;
- mechanism stainless steel

13.T32 **Small Flush ring lever on plate, flush**
32 mm diameter. (1 1/4")

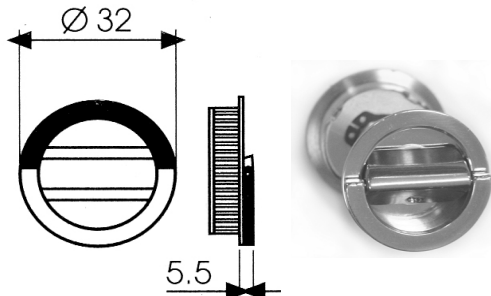
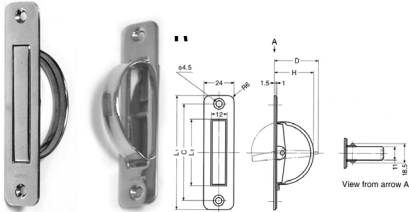
13.T321 **Small indicator on plate, flush**
32 mm diameter. (1 1/4")

13.C56 **Sliding door latch mechanism**
Spring loaded bolt
Stainless steel
Strike included



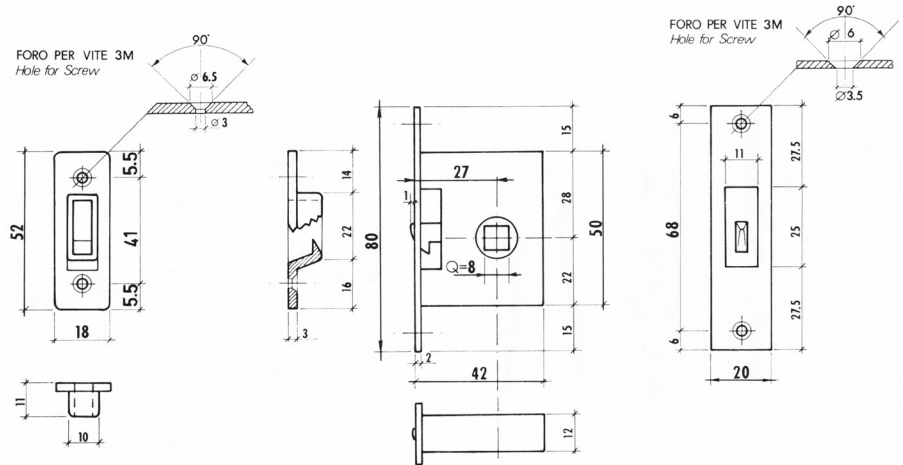
Shown: 13.C56 Pocket door latch set with Privacy Function.

13.209 #13.209; door edge pull, 25 mm diam., built in depth 25 mm material: brass



#13.T32; Small Flush ring lever with small indicator 32 mm diameter (1 1/4")

13.219 #13.219; 110 x 24 mm round corners; built in depth 30 mm; stainless steel

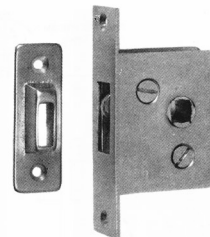


13.249 #13.249; 100 x 20 mm; built in depth 23 mm; stainless steel



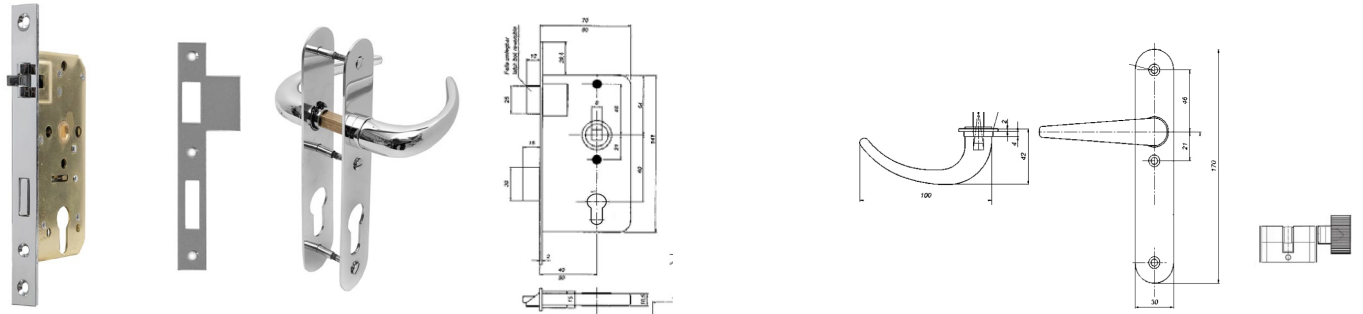
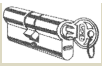
#13.C56, stainless steel latch sliding door lock with hook bolt and strike
Backset: 27 mm. Faceplate: 80 x 20 mm Lock case: 50 x 42 mm
Strike plate: 52 x 18 mm; brass chrome plated

13.239 #13.239; 91 x 22 mm; built in depth 35 mm; stainless steel

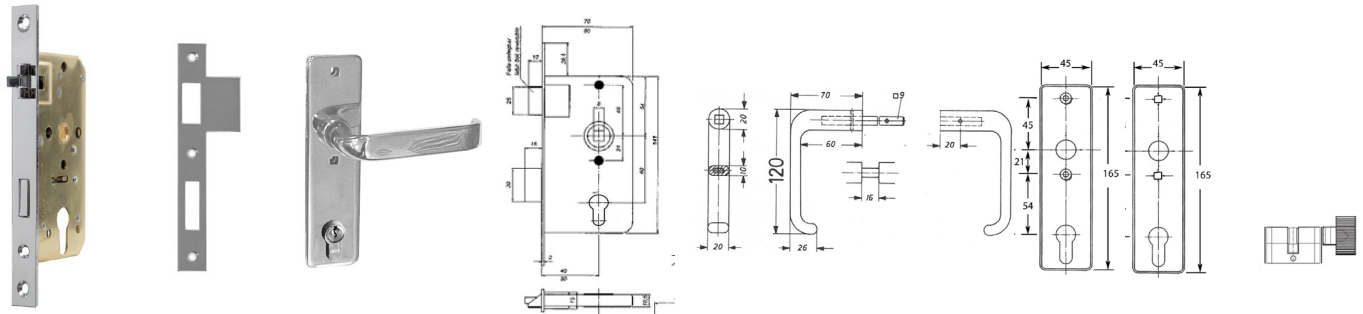


#13.C56 - different size spindles available

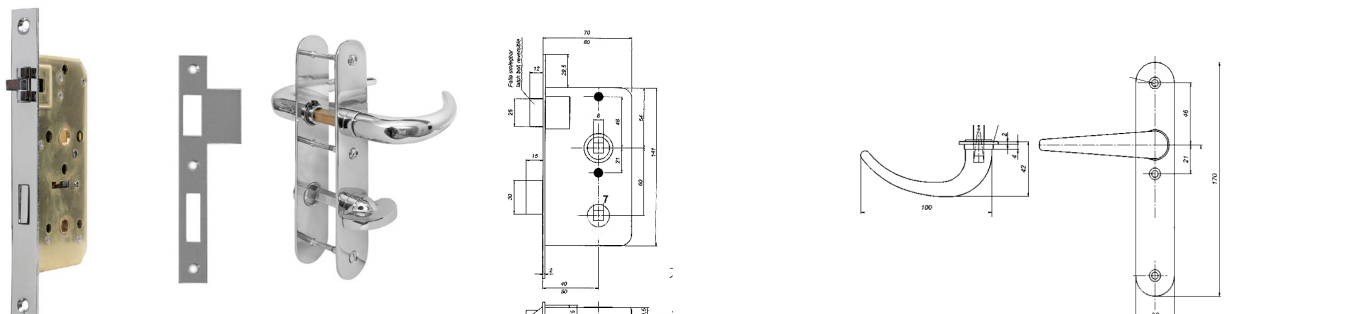
13.128 #13.128; 100 x 16 mm; built in depth 32 mm; brass



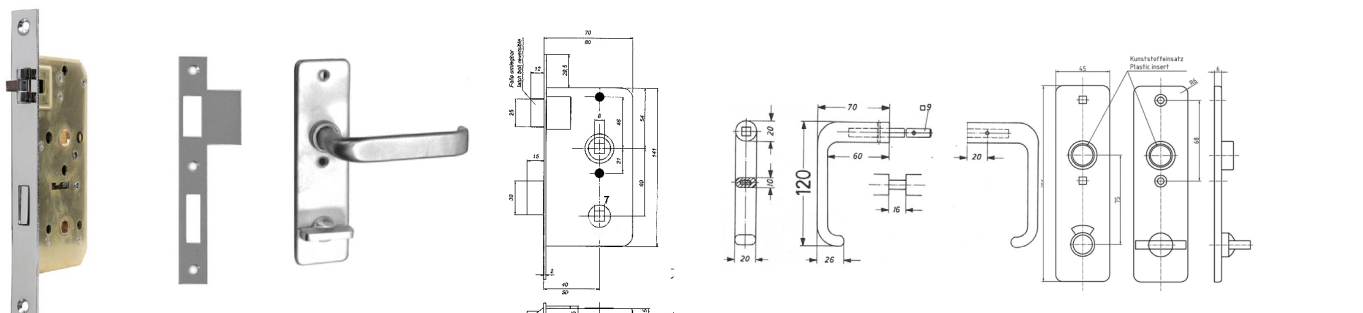
SET: 16.S04Z Entry lockset 40 mm backset with standard escutcheon and lever, keyway and strike.
SET: 16.S05Z Entry lockset 50 mm backset with standard escutcheon and lever, keyway and strike.



SET: 16.R04Z Entry lockset 40 mm backset with rectangular escutcheon and half sable lever, keyway and strike.
SET: 16.R05Z Entry lockset 50 mm backset with rectangular escutcheon and half sable lever, keyway and strike.



SET: 16.S04W Privacy lockset 40 mm backset with standard escutcheon and lever, thumb-turn and indicator
SET: 16.S05W Privacy lockset 50 mm backset with standard escutcheon and lever, thumb-turn and indicator,



SET: 16.R04W Privacy lockset 40 mm backset with rectangular escutcheon and half sable lever, thumb-turn and indicator
SET: 16.R05W Privacy lockset 50 mm backset with rectangular escutcheon and half sable lever, thumb-turn and indicator

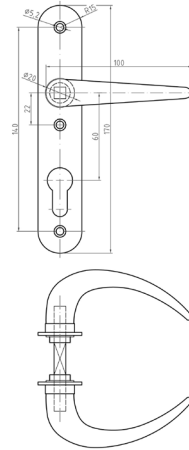
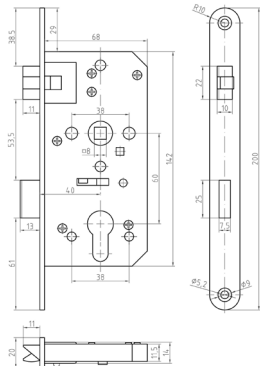
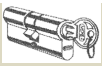


16.S04Z SET

16.S04W SET

16.S04F SET Passage

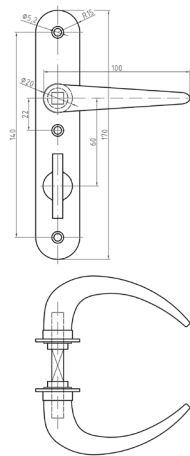
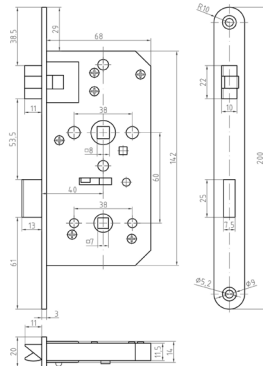
16.R04F Passage Lock separate



16.S04Z SET 40 mm backset Entry Marine Lock.

#12.59Z Trim set separately. #05.488.266 keyway (PC) separate

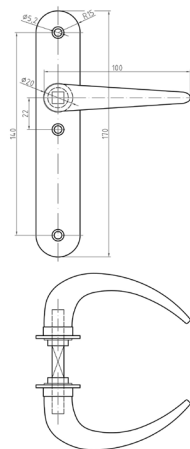
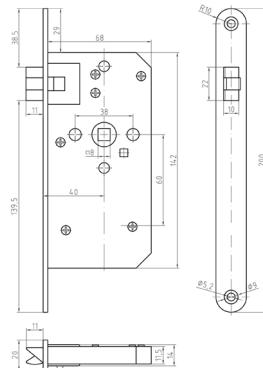
**Marine Locks for min. 1" thick doors with a max. weight of 100 lbs.
1 1/2" backset; lock case: 2 3/4" x 5 5/8"**



16.S04W SET 40 mm backset Privacy Marine Lock.

#12.59W Trim set separately.

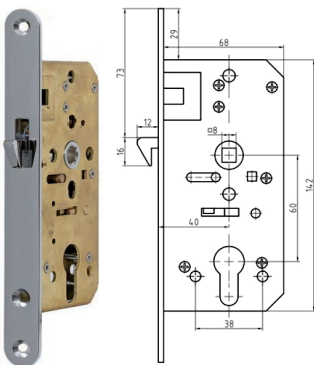
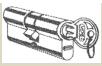
Indicator / emergency release
Option 1: for operating with spanner key #14.529
Option 2: slotted head operate with screwdriver



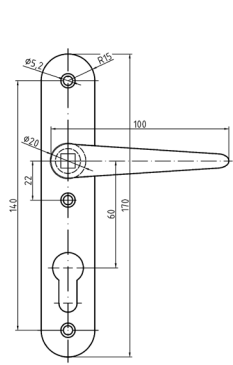
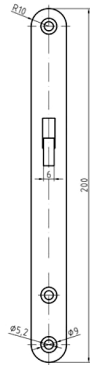
16.S04F SET 40 mm backset Passage Marine Lock.

#12.59F Trim set separately.

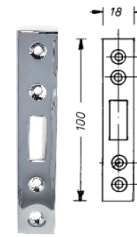
#18.740 Lever, Rose #16.924



14.481 Entry sliding door lock 40 mm backset:
14.581 Entry sliding door lock 50 mm backset:



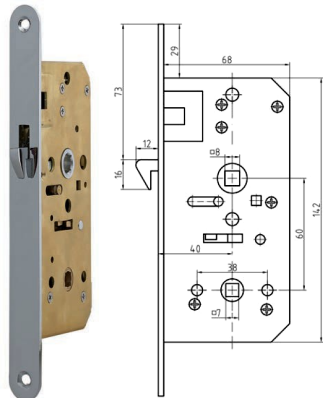
16.59Z Trim set
16.59Z Trim set



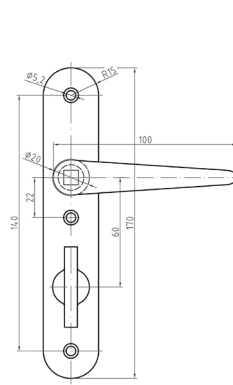
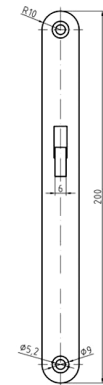
14.48S strike plate
14.48S strike plate



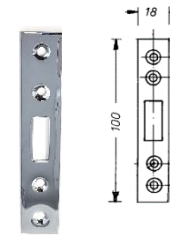
05.400 keyway
05.400 keyway



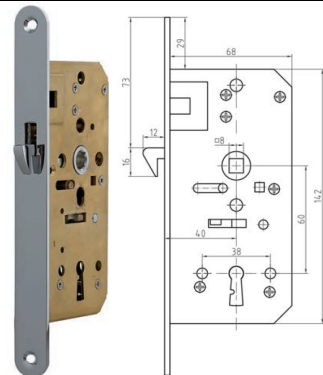
14.471 Privacy lock 40 mm backset with trim
14.571 Privacy lock 50 mm backset with trim



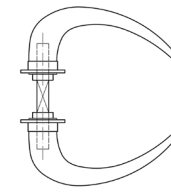
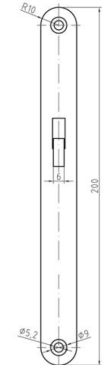
12.59W trim set for privacy lock
12.59W trim set for privacy lock



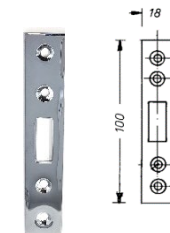
14.48S strike plate
14.48S strike plate



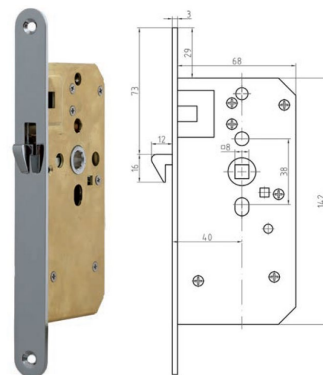
14.491 Entry lock 40 mm backset with skeleton key and trim
14.591 Entry lock 50 mm backset with skeleton key and trim



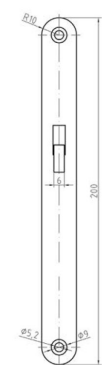
12.590 trim set
12.590 trim set



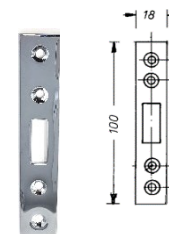
14.48S strike plate.
14.48S strike plate.



14.891 Passage latch sliding 40 mm backset with trim
14.991 Passage latch sliding 50 mm backset with trim

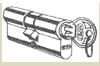


12.59F trim set for passage lock
12.59F trim set for passage lock



14.48S strike plate.
14.48S strike plate

For more lever trim sets: see Decorative Trim Section on Line



Trim for 30 mm locksets (300 series)



12.68W



12.68K



12.68Z



12.68F



12.969

Trim for 40 mm locksets (4000 series and 16.S04 series)



#12.59Z



#12.59W



12.59F

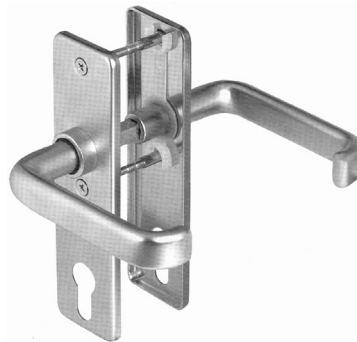


#18.740 + #16.924

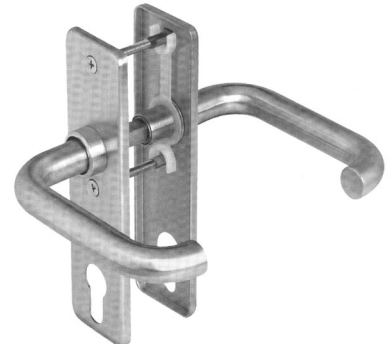
GSV and S&B Trim for 40, 50 and 55 mm locksets



Classic Lever #14.310



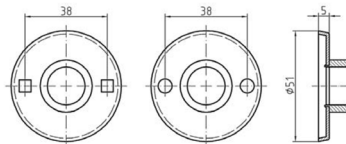
Lever handles #14.999
Shown with Escutcheon Plates #14.129



Lever handle #14.610



#14.304 Lever roses, pair 51 mm pair



for levers 14.310; 14.999, 14.610



#14.60Z profile cylinder roses



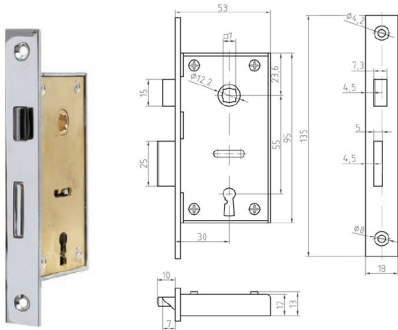
#14.604 roses for bit keys



#14.40W Thumb-turn/indicator with rose



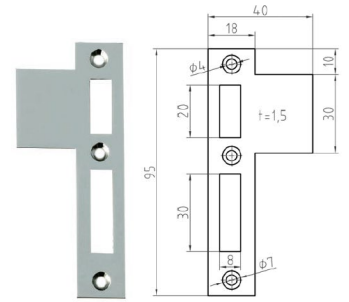
Order number	Material	Back set	Specifics	Finish
#14.109.266	Brass		Pair; one w. round holes, One w. square holes	Polished chrome
#14.109.508	Stainless Steel	55 mm	Pair; one w. round holes, One w. square holes	Satin stainless steel
#14.109.308	Stainless Steel	55 mm	Pair; one w. round holes, One w. square holes	Polished stainless steel
#14.108.508	Stainless Steel		Single; round holes	Satin stainless steel
#14.107.508	Stainless Steel		Single; square holes	Satin stainless steel
			Thumb turn with 7 x 7 mm square stock for use with escutcheon #14.118.508	Through bolts, set, Stainless steel Indicate size For use with escutcheons
#14.1TT	Thumb-turn		Single, 7 x 7 mm spindle	Satin chrome brass
#14.139	Nylon		Bearing for escutcheon each	nylon
#14.149	Through bolts		Set, male-female ,	Stainless steel
			lever set #14.999 #14.99A EXTENDED	
#14.999.508	stainless steel		Lever handle set satin stainless steel	
#14.999.308	stainless steel		Lever handle set polished stainless steel	
#14.99A.508	stainless steel		Lever handle set satin stainless steel for rim locks	
#14.99A.308	stainless steel		Lever handle set polished stainless steel for rim locks	
			lever set #14.310 with 8 x 8 mm or 9x9 mm square spindle	
#14.3101	Chrome plated brass		Lever handle "sable" set polished chrome plated brass	
#14.310	Brass		Lever handle "sable" brass polished	



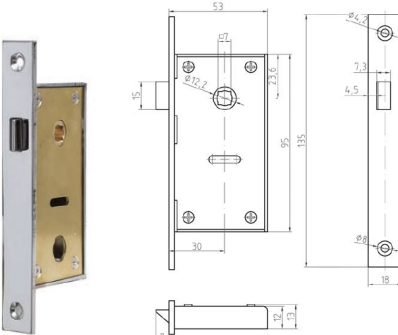
#18.968 Entry Lock with skeleton key



#12.68K Levers Escutcheons for skeleton key



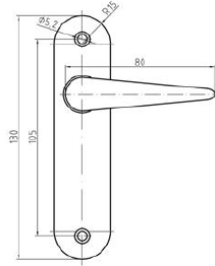
#18.90B strike plate for #968 series



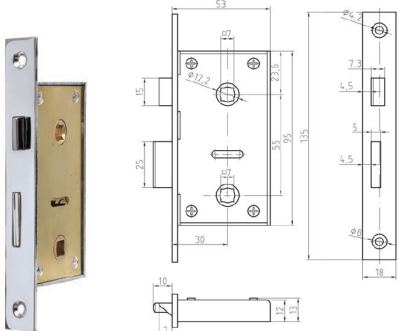
#18.68F Passage Latch



#12.68F Levers Escutcheons passage latch



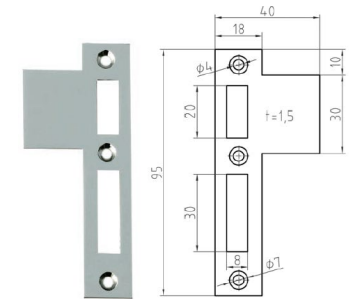
#12.969 Knobs & Escutcheons set



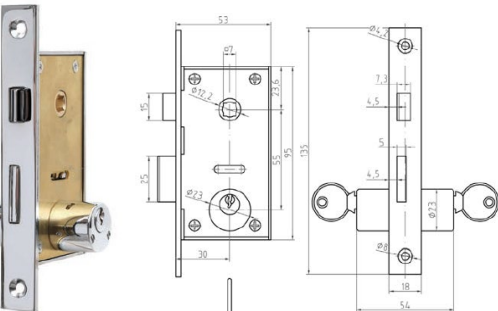
#18.68W Privacy Lock Thumb-turn/indicator



#12.68W Thumb-turn / Indicator Levers Escutcheons for Privacy Lock



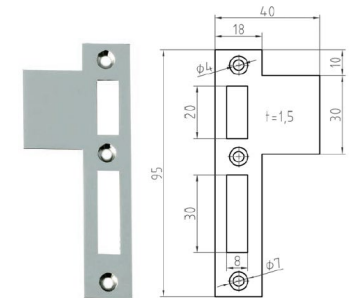
#18.90B Strike plate for #968 series



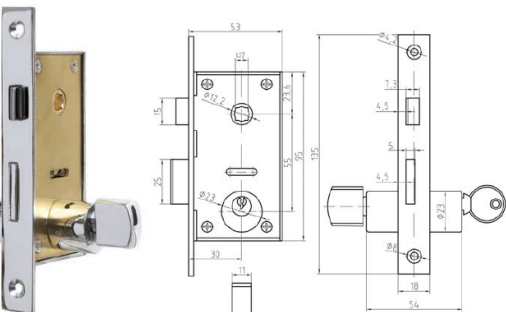
#18.68ZK Entry Lock Cylinder Key/Key



#12.68Z Levers Escutcheons for cylinder key



#12.90B strike plate for #968 series



#18.68Z Entry Lock Cylinder Key/Knob



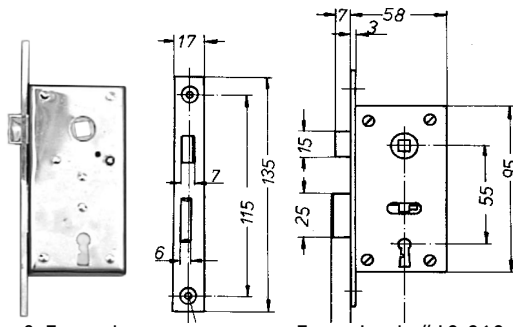
#12.68Z Levers Escutcheons for cylinder key



Marine Mortise Lock Sets with 30 mm (1 3/16") Backset. Lock case 1/2" thick. For 1" (25 mm) thick doors. Polished Chrome Plated Brass



GSV Trim set #12.968 Lever & Escutcheon
GSV SET Complete Entry with skeleton key: #18.968K



Izerwaren
 Order
 numbers

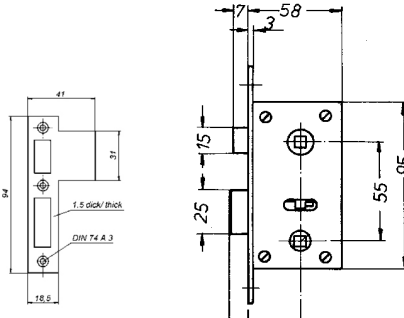
- Mortise lock, backset 30 mm - 1 3/16"
- Minimum door thickness 19 mm - 3/4"
- Solid latch bolt
- With square corners on lock & strike plate
- Strike plate included with lock
- Trim not included
- Specify left or right hand and door thickness
- Specify finish:
 - BPC polished chrome plated brass
 - BSC satin chrome plated brass
 - BP polished brass

18.968 **Entry Mortise Lock with bit key (968)**
 Center spindle hole to center key hole: 55 mm
 Case: 58 mm x 96 mm x 12 mm thick
 Front plate 135 x 17 mm
 7x7 mm spindle

18.90B **Strike plate**



GSV Lever set #12.68W
GSV SET Complete Privacy thumb-turn/indicator: #18.968W

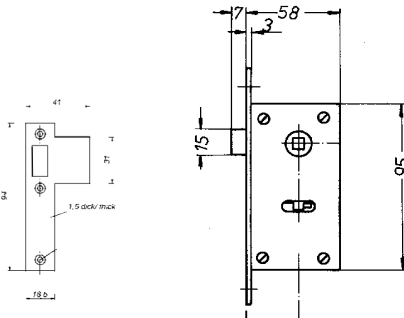


18.68W **Privacy Mortise Lock (968WC)**
 Center spindle hole to center key hole: 55 mm
 Case: 58 mm x 96 mm x 12 mm thick
 Front plate 135 x 17 mm
 7x7 mm spindle; 5x5 mm for thumb-turn

18.90B **Strike plate**



GSV Lever set #12.68F
GSV SET Complete passage function: #18.968F



18.68F **Passage Mortise Lock (968F)**
 Case: 80 mm x 92 mm x 16 mm thick
 Front plate 150 x 25 mm
 7x7 mm spindle for lever handles

18.91B **Strike plate**

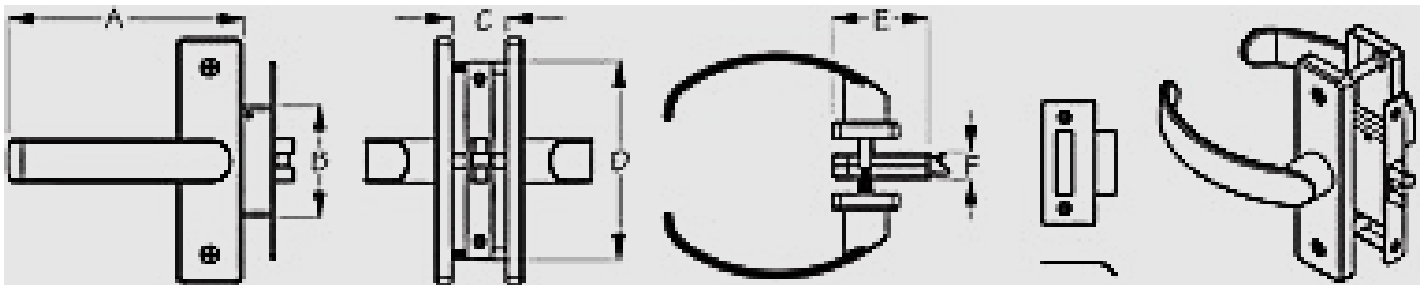
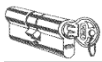


Picture: #12.68Z entry lock with cylinder key; set with escutcheons and levers, strike plate. finish: polished chrome plated brass.



GSV trim fittings series #5968; 7x7 mm spindle

- 12.968 **Lever handles with Esc. Plates** attached Lever handle: 80 x 35 mm
- 12.68Z **Entry** with skeleton key
- 12.68W **Entry** with round cylinder
- 12.68F **Privacy**
- 12.68F **Passage**



#11.1610

1 1/2 inch backset

A

4-1/8"

B

2"

C

3/4"-1-1/2"

D

3-9/16"

E

1-3/4"

F

7/16"

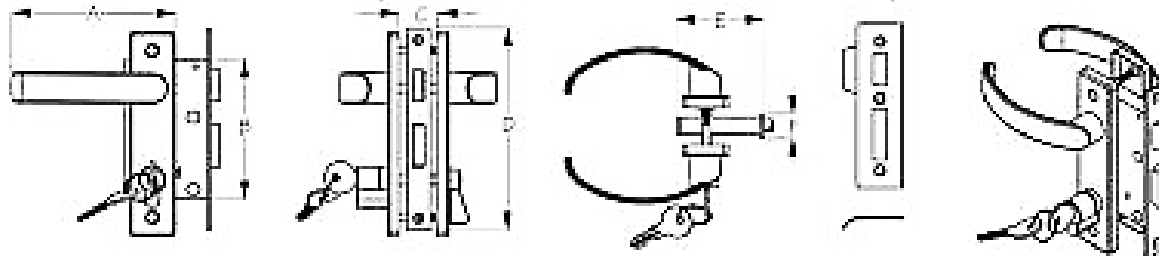


Stainless Steel Latch for doors from 3/4 inch to 1 1/2 inch thick with Tripple Latch Bolt; Lever Spring Loaded; Strike Lip Bend

#11.1615 keyed entry lock see Page 1-5-2-B



11.1615 Marine Grade 316 Stainless Steel Entry Lock with 1 1/2 inch backset (38 mm) with half cylinder and thumb-turn and strike plate



Backset	A	B	C	D	E	F	Fastener
1-1/2"	4-1/8"	3-9/16"	3/4"- 1-1/2"	5-1/4"	1-1/4"	7/16"	#8 FH
38 mm	105 mm	90 mm	19 to 38 mm	134 mm	32 mm	11 mm	No 8 screw flat head

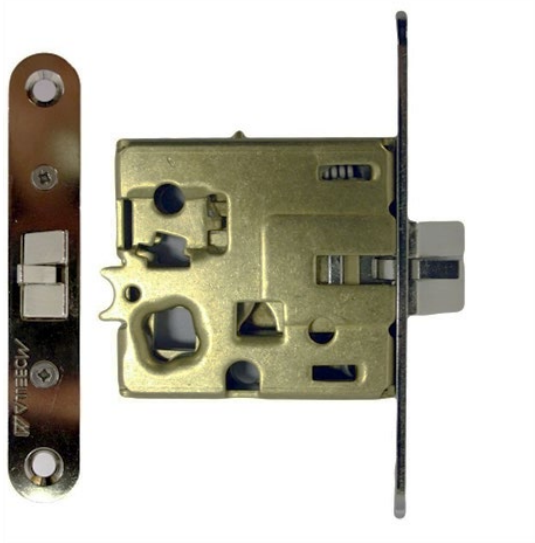
This Locking Door Handle Latch is highly polished for a modern, sleek look. Features open from outside deadbolt with cylinder lock mechanism. Includes strike plate, mounting template and two keys. For doors 3/4" – 1-1/2" thick. Constructed of corrosion resistant investment cast 316 stainless steel. Latch and strike plate install with four #8 FH fasteners (not included)



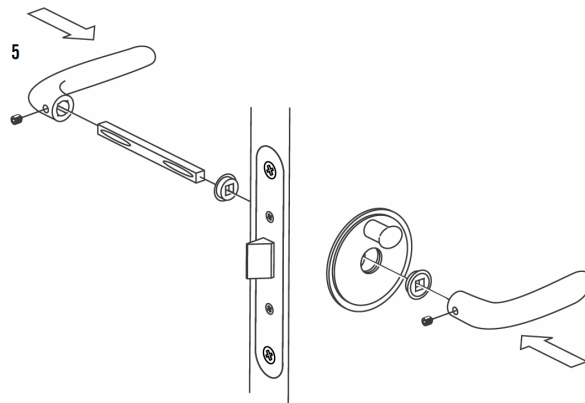
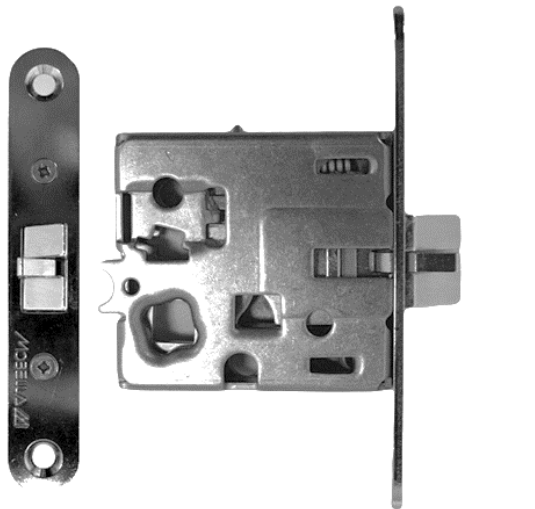
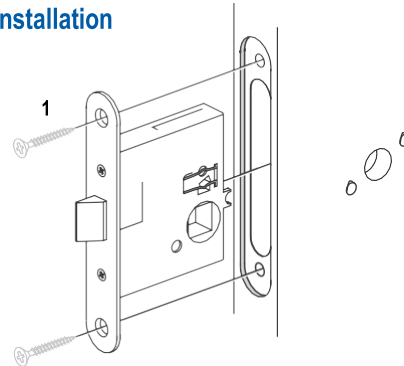
#11.1160 Passage model (no key) see page 1-5-3 for details



Mobella McCoy Latches 45 mm backset



installation



Izerwaren Partnumber: 15.9653

MA-R9653 Right and MA-R9654 Left handed latch, double spring WITH TRIPLE latch bolt
45 mm backset; faceplate: 100 x 16 mm.

Fits with the following trim:



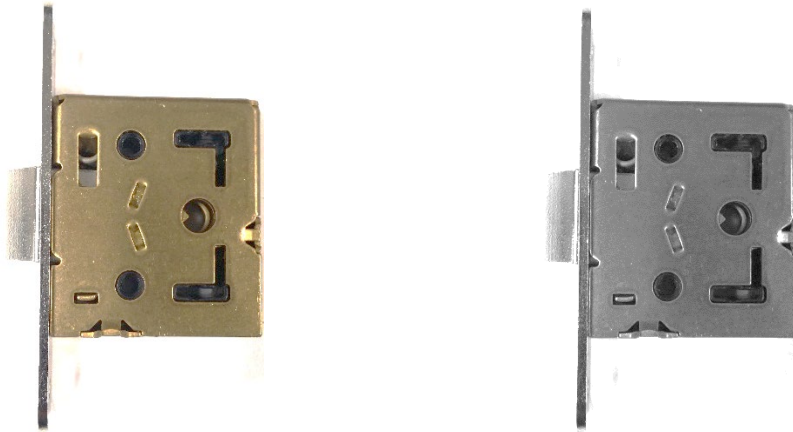
Nova lever & rose



Portofina lever & rose

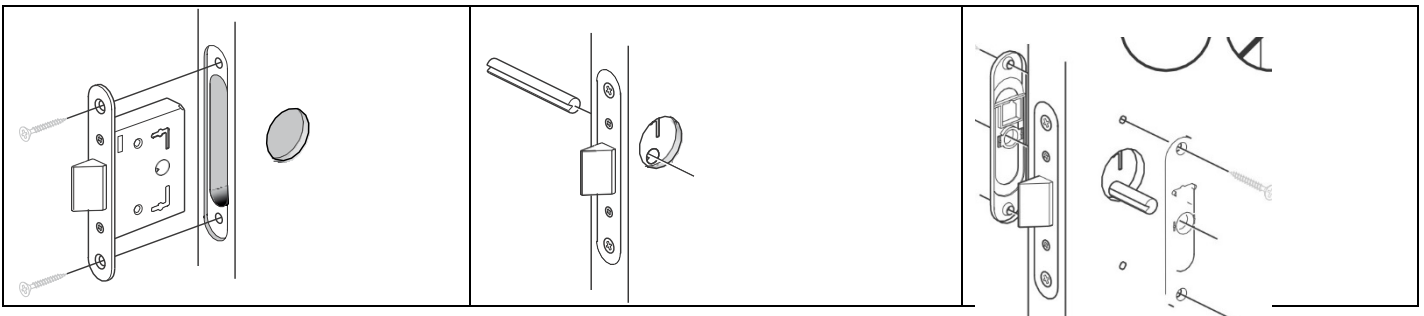


Mobella Mini McCoy Latches 30 mm backset

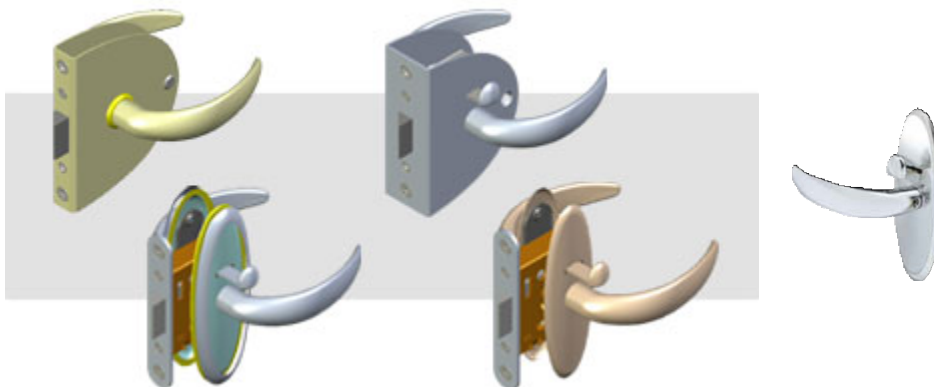


Izerwaren part number: 15.3542

McCoy Mini Latch MC-R3542 left or right reversable;
30 mm backset; lockcase 50 x 43 mm Faceplate: 90 x 20 mm



MC Mini latch works with the following trim sets:

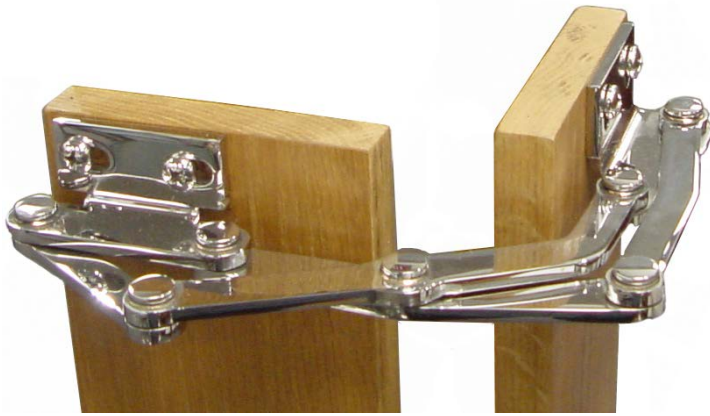




INVISIBLE HINGES HEAVY DUTY POLISHED STAINLESS STEEL BRONZE BEARINGS 180 DEGREE OPENING



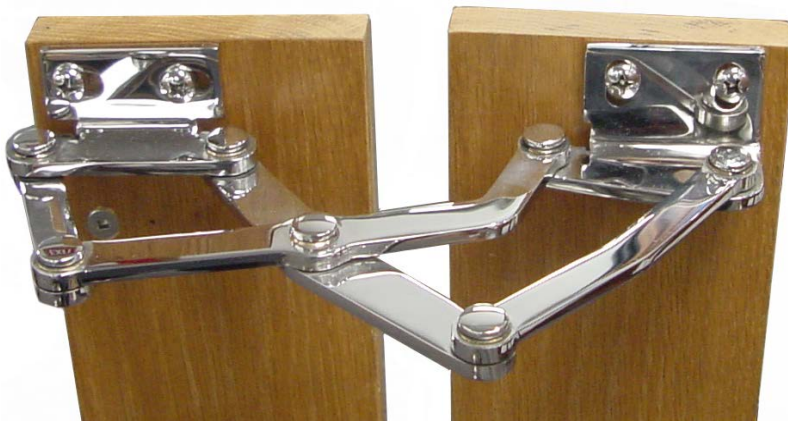
44.7237:L (LEFT) AND #44.7237R (RIGHT) 180 DEGREE OPENING STAINLESS STEEL. MARINE GRADE



#44.7237LI; Left; 180 degrees Open Position Polished Stainless Steel
BRONZE BEARINGS



#44.7237LI; Left; Closed Position Polished Stainless Steel
BRONZE BEARINGS



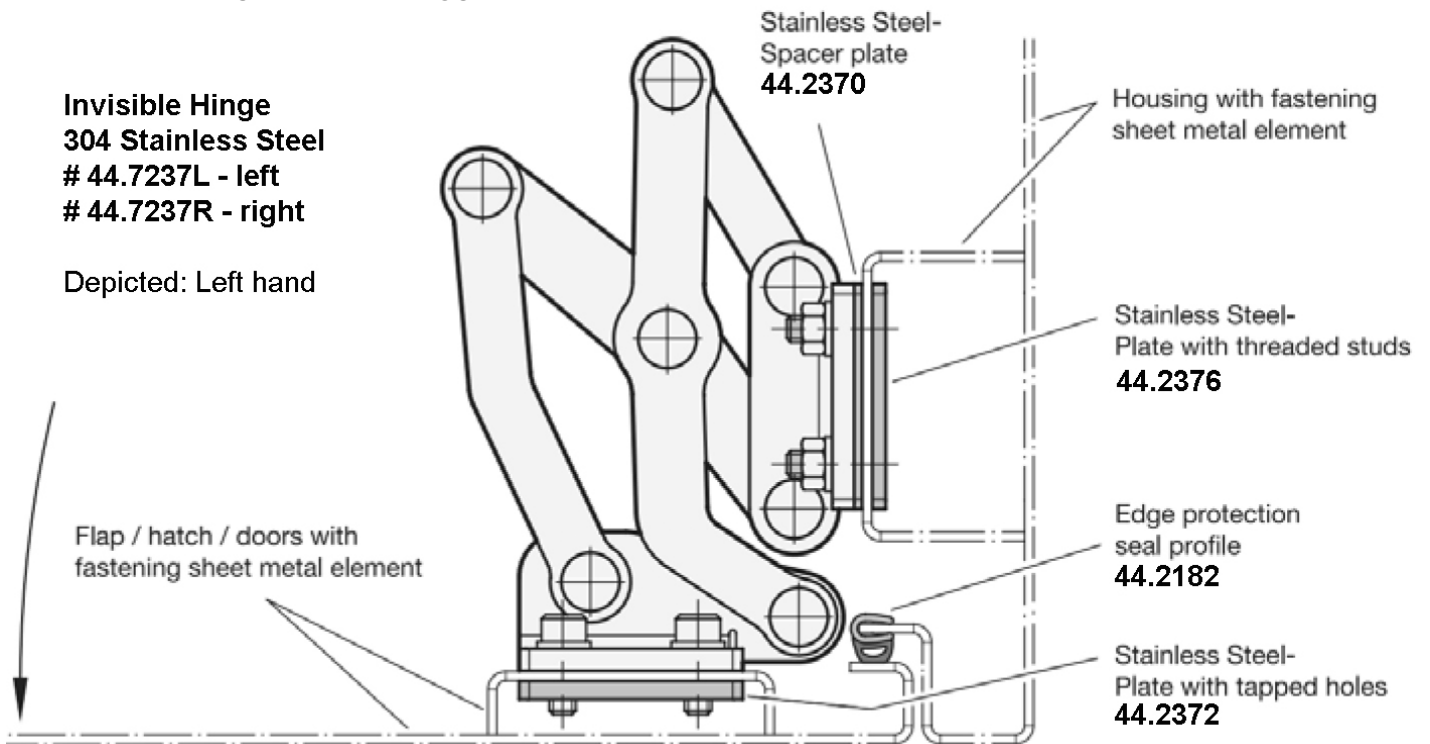
#44.7237LI; Left; Open 90 degrees Polished Stainless Steel
BRONZE BEARINGS



#44.7237L; Left hand; Tumbled Stainless Steel finish

Invisible Hinge
304 Stainless Steel
44.7237L - left
44.7237R - right

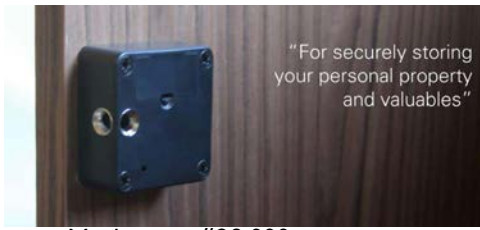
Depicted: Left hand



BRONZE BEARINGS, 304 tumbled stainless steel

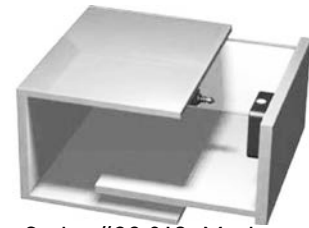


Key Card #28.012

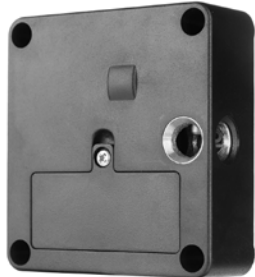


Mechanism #28.000

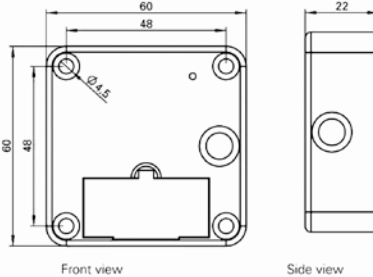
"For securely storing your personal property and valuables"



Strike #28.013 Mechanism #28.000



#28.000 Mechanism; front or side locking



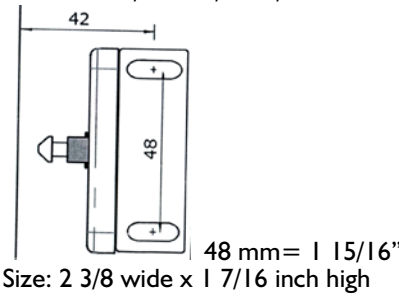
Size: 2 3/8 x 2 3/8 x 7/8 inch



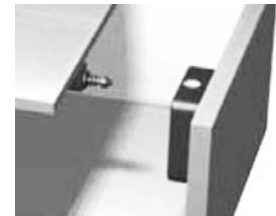
#28.015; 3 Volt battery Required for operation



#28.013 spring loaded strike with plate



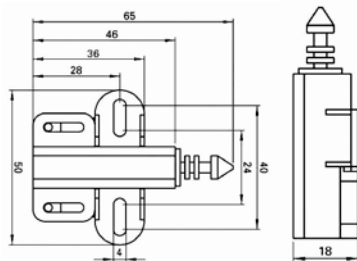
Size: 2 3/8 wide x 1 7/16 inch high



#28.013 spring loaded strike pushes door open



#28.001 breakaway strike with shear pin



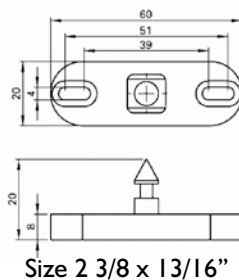
Size: 2 x 1 3/8 x 3/4 inch



Installation showing strike #28.001



#28.004 right angle strike



Size 2 3/8 x 13/16"



#28.233 Soft close pin with bracket
#28.234 Soft close pin -drill hole 3/8" inch
Length pin: 3/8" Length body: 2"
Helps to soft close and open doors/drawers



#28.901 Power supply for mechanism



#28.012 Key card (FOB) for thick material
Up to 1 1/4 thickness of wood



#28.009 Antenna with flat plate



#28.233 Soft close pin with bracket. Soft Length pin: 3/8" Length body: 2" Helps to soft close and open doors/drawers



#28.234 Soft close pin -drill hole 3/8" inch. Soft Length pin: 3/8" Length body: 2" Helps to soft close and open doors/drawers



#28.971 'blum' soft closer; heavy duty Length pin: 5/8" Length body: 2"



#28.885 universal soft close pin with bracket 'salice' Heavy duty/hard hinge side



acsissling.com



#28.896 Hard side; drill in mounting
#28.897 Medium hard; drill in mounting
#28.898 Light; drill in mounting



acsissling.com



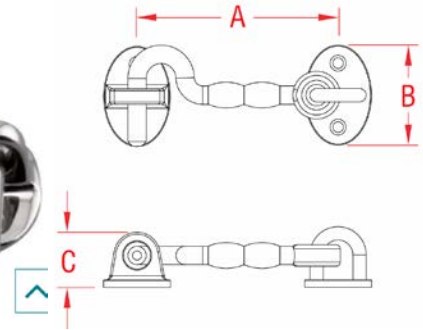
Izerwaren
Order
numbers

Door ajar hooks

For full size doors
Double swinging
Hook length + bracket length =
working length
Add 25 mm for working length

33.3851 Hook length: - 3"
33.3852 Hook length: - 4"

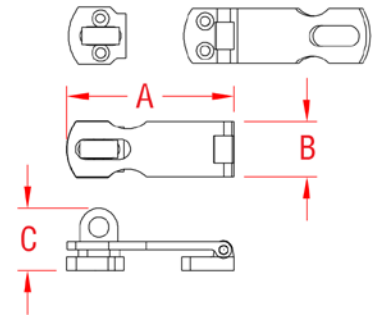
33.3852LT Hook plate separate
316 Stainless steel



33.3851 Ajar Hook Length 3 inch
33.3852 Ajar Hook Length 4 inch

A= 3 and 4 inch
B= 1.48 inch
C= 0.82 inch

46.3853 **Safety hasp** 3 inch
Heavy Duty
316 Stainless steel



#33.3853 The Heavy Duty Safety Hasp is precision cast and easily installed using #8 fasteners.

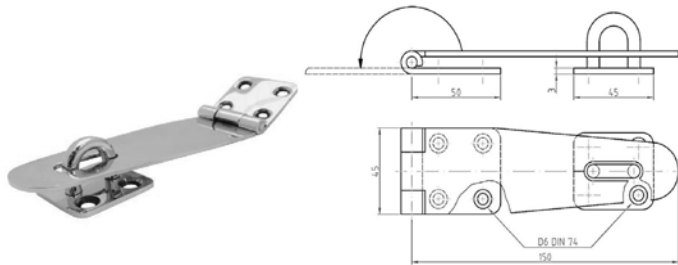
A= 3 inch
B= 1 inch
C= 1.16 inch



Order numbers

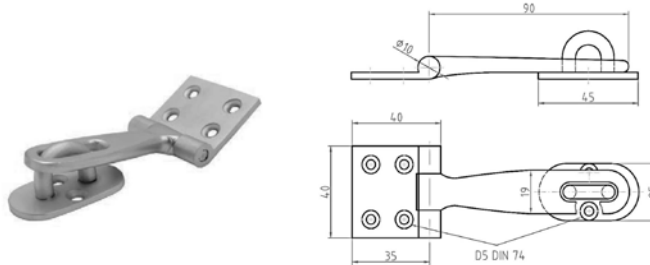
- Solid Brass lid hasps
- Seawater resistant
- Rattle free
- Finish: Chrome plated brass

46.570 **Hasp, medium duty**
 With plate lockable by means of padlock
 45 x 150 mm
 Chrome plated brass



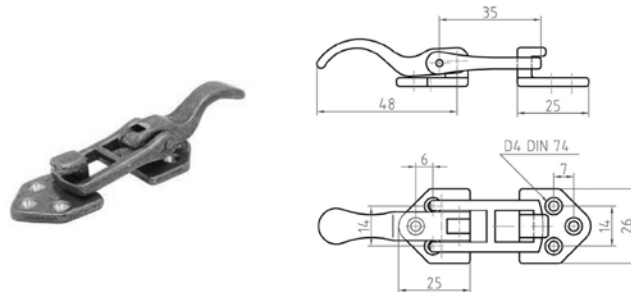
Hasp #46.570 with strike plate 45 x 150 mm

46.572 **Hasp, medium duty**
 With plate lockable by means of padlock
 40 x 90 mm
 Chrome plated brass



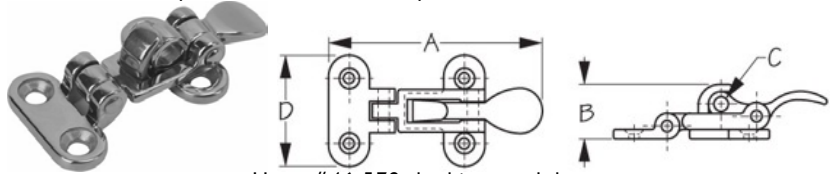
Hasp #46.572 with strike plate 40 x 90

46.576 **Hasp, Light duty**
 With hook plate
 60 x 26 mm
 Chrome plated brass



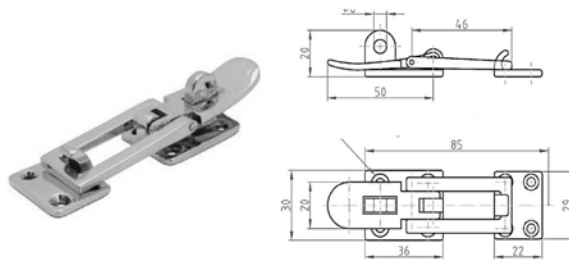
Hasp #46.576 with strike plate size 60 x 26 mm

46.579 **Hasp, medium duty**
 With hook plate;
 Lockable by means of padlock
 38 x 77 mm
316 Stainless steel



Hasp #46.579 locking model
 A= 3 inch; 77 mm
 B= 3/4 inch; 19 mm
 C= 1/4 inch; 6 mm
 D= 1 1/2 inch; 38 mm

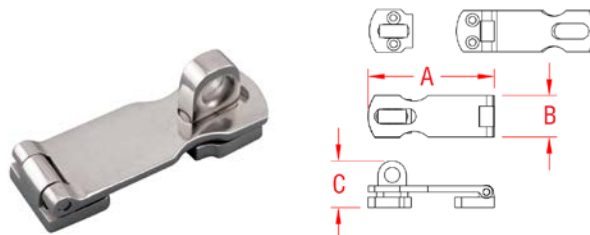
46.577 **Hasp, medium duty**
 With hook plate;
 Lockable by means of padlock
 26 x 85 mm
 Chrome plated brass



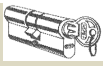
Hasp #46.577 with hook plate Size: 26 x 85 mm

46.3853 **Medium Duty Safety Hasp.**
 With flat plate;
 Precision cast and easily installed
 using #8 fasteners. 316 stainless steel.

A= 3 inch; B= 1 inch; C= 1.16 inch



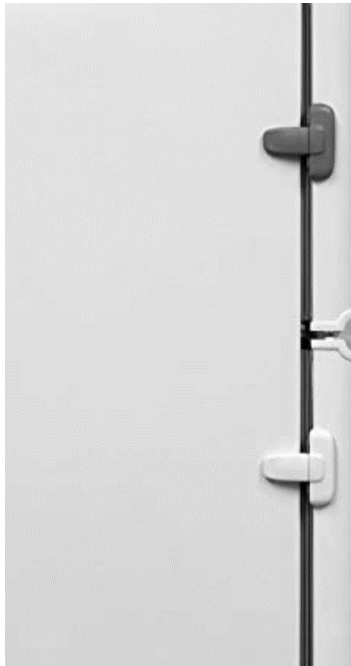
#46.3853 Medium Duty Safety Hasp. Precision cast and easily installed using #8 fasteners.
 A= 3 inch; B= 1 inch; C= 1.16 inch 316 stainless steel.



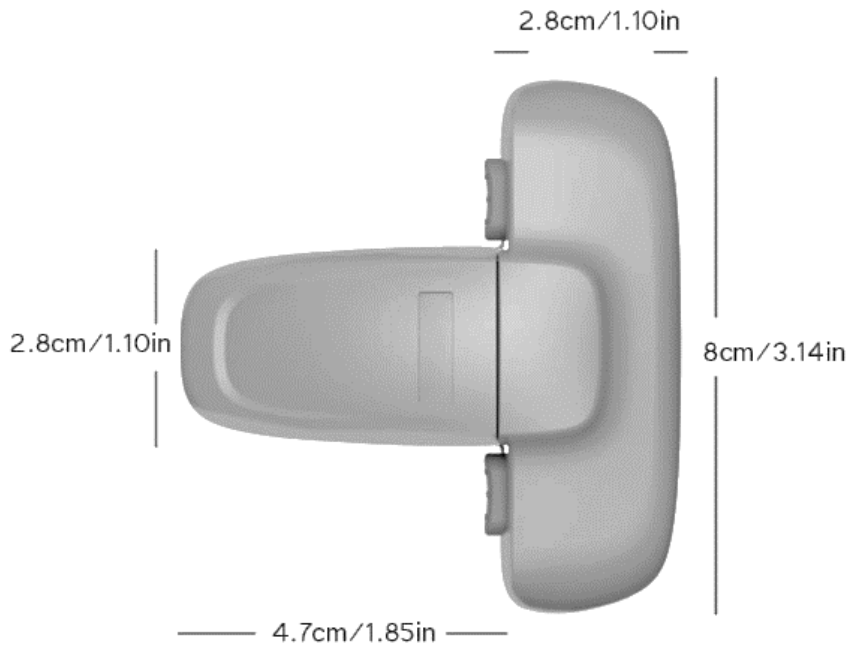
Izerwaren
Order
numbers

REFRIGERATOR DOOR LATCH

- 23.374 Refrigerator door latch white
- 23.375 Refrigerator door latch grey



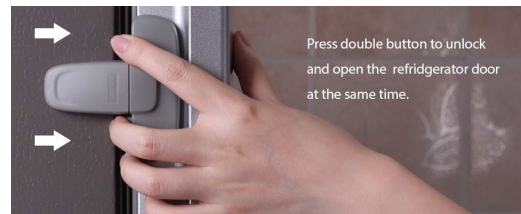
#23.374 refer latch white



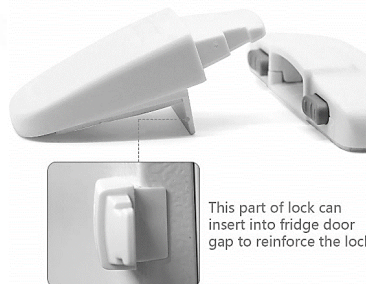
#23.375 refer latch grey.

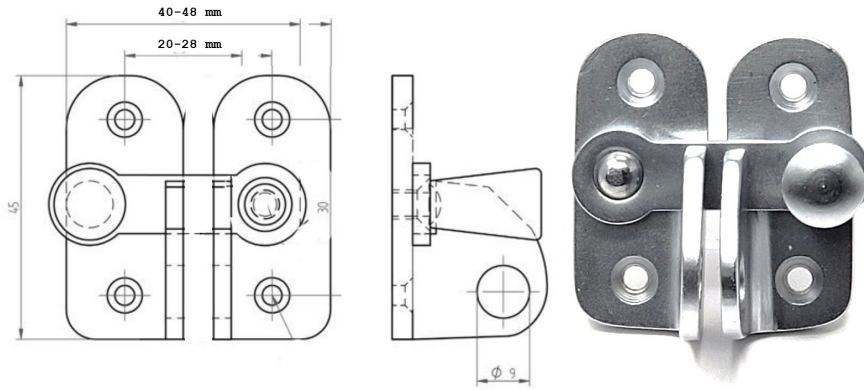
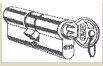


Depicted 23.374 white

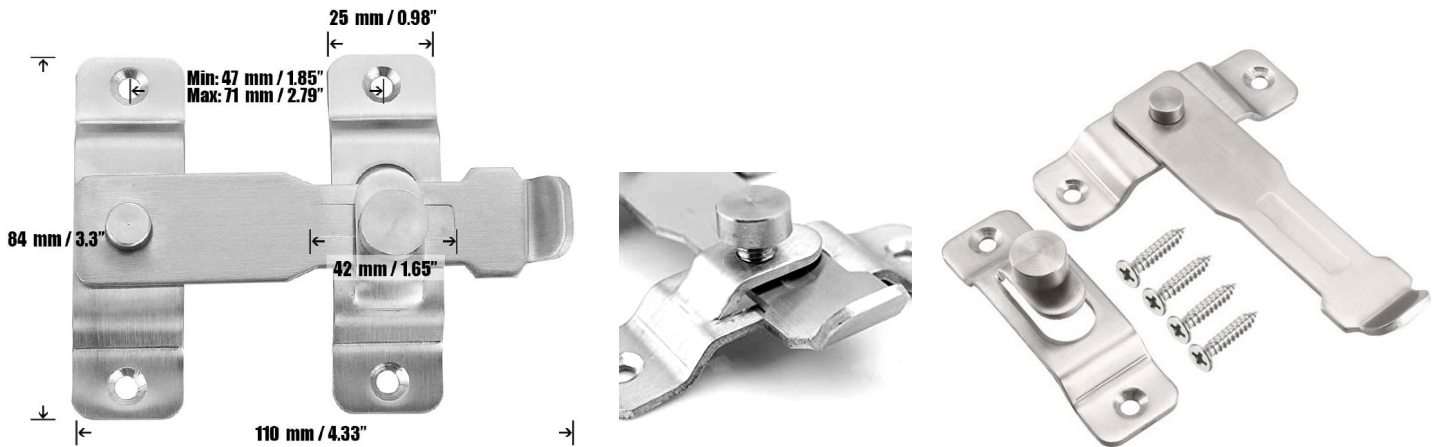


Push buttons simultaneously Two finger operation





#23.5502 RIGHT HAND DEPICTED door catch with cam - also for refrigerators. (see below) Lockable with padlock.
#23.5501 LEFT HAND door catch with cam.
Sizes: 40 x 45 mm; 1 13/16" x 1 3/4" high x 1 1/8" stand off. Lateral Play: 5/16" or 8 mm. Satin chrome plated brass



#23.5671 Door Latch 110 mm wide x 84 mm high. Projects 27 mm 1 1/16"; 4 5/8 x 3 5/8 x 1 1/16 inch
With threaded knob to lock down the latch for refrigerators. Satin Stainless Steel.

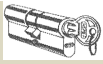
Showing Details Refrigerator Door Installation:



#23.5501 Door Latch Brass Satin Chrome

#23.5671 Door Latch Satin Stainless Steel

Full size refrigerator latches showing on page 2-8-1



Izerwaren
Order
numbers

Offset Slam Latches

Stainless steel and zinc

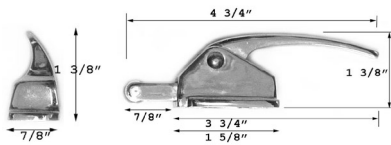
Latch for flush and overlay doors.
Polished chrome die cast zinc
Available in flush, or 1/8, and 3/8 inch
offset.

- 88.2319 SET latch and strike flush
- 88.231 Latch only
- 88.232 88.232 strike flush
- 88.234 88.234 strike 1/8"
- 88.236 88.236 strike 3/8"

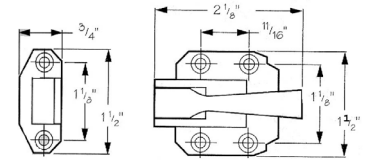
Latch for flush and overlay doors.
Polished chrome die cast zinc
Available in flush, with 1/8, and 3/8
inch offset

- 88.2389 SET: Latch and strike flush
- 88.238 88.238 latch only
- 88.239 88.239 strike flush
- 88.241 88.241 strike 1/8"
- 88.243 88.243 strike 3/8"

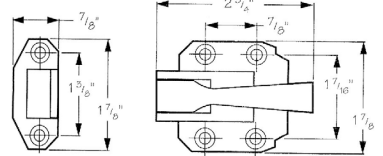
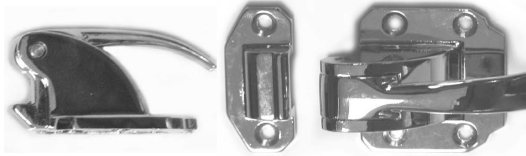
- 88.470 Latch for flush and overlay doors..
- 88.485 Flush strike (depicted)
- 88.486 Offset strike 3/4" offset (not depicted)



MINI LATCHES



SET: #88.2319 Latch for flush doors with strike. Polished chrome die cast zinc
Base: 1 1/2" x 2 1/8"; Strike 3/4" x 1 1/2". Flush Strike depicted
Available in flush, with 1/8, and 3/8 inch offset.



SET: #88.2389 Latch and strike for flush doors. Polished chrome die-cast zinc.
Base: 1 7/8" x 2 3/4"; Strike 7/8" x 1 7/8".
Available in flush, with 1/8, and 3/8 inch offset.

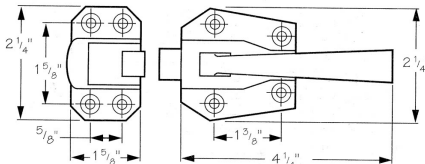
MEDIUM SIZE LATCHES



88.470 Latch for flush and overlay doors. Polished chrome die-cast zinc. Strike sold separate
88.485 Flush strike (depicted)
88.486 Offset strike 3/4" offset (not depicted)

- 88.130 Latch for up lay doors
For flush up to 1/2" inch offset only;
Strike included,
With padlock provision.

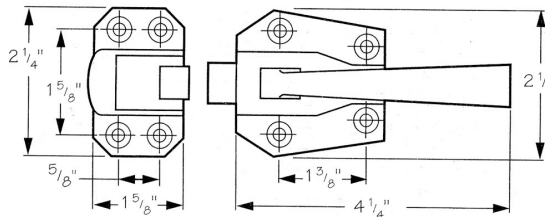
STAINLESS STEEL.



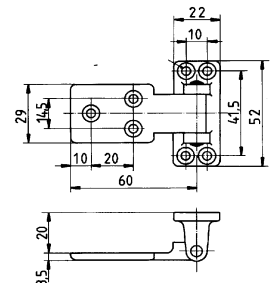
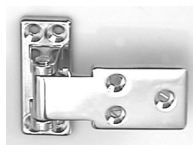
#88.130 Latch for overlay doors with 1/2 inch offset; **stainless steel**, with padlock provision
For flush and 1/2" offset applications
#88.131 for 5/8" to 1 1/4" applications
Base: 2 1/4" x 2 1/2". Strike included

- 88.131 Latch for overlay doors
For 5/8" up to 1 1/4" inch offset only;
Strike included,
With padlock provision

Stainless steel.



- 42.255 Off set hinge die-cast aluminum
29 x 60 mm; offset 20 mm (3/4 inch)



#42.255 door hinge 3/4" offset die-cast aluminum - sizes in mm.



Izerwaren
Order
numbers

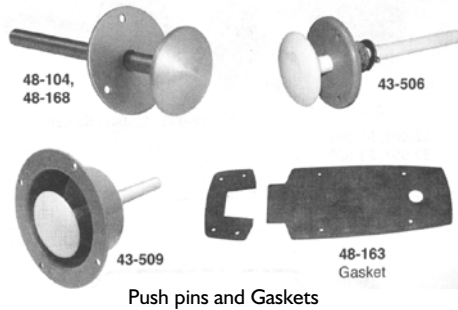
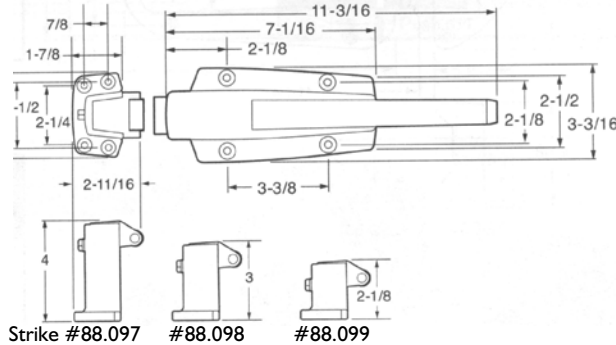
Toggle Devices and hatch fasteners
Stainless steel and brass
• seawater resistant
•

OVER SIZE LATCH FOR HEAVY DOORS 3/8; 3/4; 1 5/8 & 2 1/2 INCH OFFSET



- 88.100 Latch, full size, for up lay doors;
Stainless steel,
Available with offset:
3/8, 3/4, 1 5/8, 2 1/2 inch
Latch for up lay doors, **stainless steel**
Strike separated
- 88.001 #88.001 **Push Pin** for back release
- 88.099 Strike, adjustable
from flush to offset 3/8 inch
- 88.098 Strike, adjustable
offset 1/2 to 3/4 inch
- 88.097 Strike, adjustable
offset 1 1/2 to 1 3/4 inch

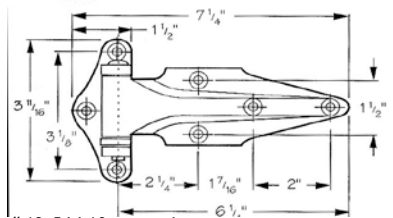
#88.100 Latch for up lay doors; **stainless steel. Offset: 3/8, 3/4, 1 5/8, 2 1/2 inch.**
Overall size: 11 3/16 inch. Satin stainless steel.
Lockable with pad lock
#88.001 **Push Pin** for back release (order separate)



Push pins and Gaskets

- 42.48105 Strap hinge 1 5/8 offset
13 1/2" x 5"
Stainless steel
Specify LEFT OR RIGHT
- 42.48115 Strap hinge flush
10 3/8" x 4 1/4"
Stainless steel

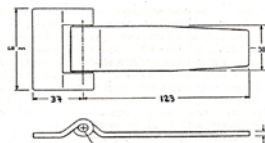
FULL SIZE STAINLESS STEEL STRAP HINGES



#42.51140 strap hinge
7 1/4" x 3 11/16" Flush; or 3/4", 7/8"; 1";
1 1/8" offset LEFT OR RIGHT
RHS
51-134 flush;
51-135 3/4 offset;
51-136 7/8 offset;

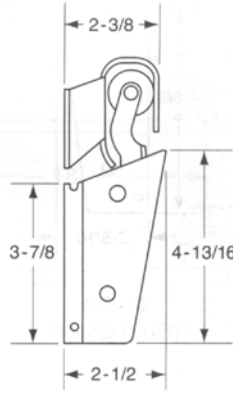
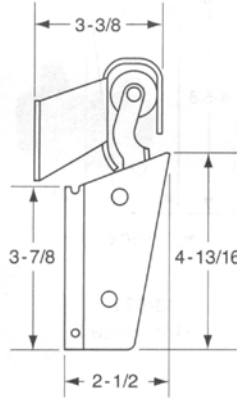


#42.48105 strap hinge 1 5/8 offset Specify LEFT OR RIGHT
13 1/2" x 5"



#42.273 with and without holes. Flush mounting only.
RHS: 08-301 length: 6 1/4" and 08-302 length: 7 5/8"

sizes in mm. NON HANDED



48-113
(1-1/8" Offset)
48-112
(Flush Offset)
#42.48113 and #42.48112 door closer for cabinet doors.
Stainless steel.

COMPLETE KIT INCLUDES:
Latch and strike assembly

1-5/8" to 2-1/2" Offset Strike

3/4" to 1-5/8" Offset Strike

Flush to 3/8" Offset Strike

Latch

48-104, 48-168

43-506

43-509

48-163 Gasket

RHS catalog

W95 Series Spring Operated Door Closer

Order No.	Description
48-112	Door closer, flush offset
48-113	Door closer, 1-1/8" offset
- Brushed Stainless Steel Finish	

#42.5140 strap hinge
7 1/4" x 3 1/16"
Flush; 1/4", 7/8", 1", 1 1/8" offset

#42.5140 strap hinge
7 1/4" x 3 1/16"
Flush or offset; 1/4", 7/8", 1", 1 1/8"
Specify LEFT OR RIGHT
STAINLESS STEEL

#42.4815 strap hinge
Flush mounted only
STAINLESS STEEL

#42.4815 strap hinge
10 3/8" x 4 1/4"
Flush mounting only
STAINLESS STEEL

#42.273 strap door hinge
With round holes
Overall size: 123 x 37 x 68 x 4 mm
STAINLESS STEEL
Flush mounting only

#42.273 strap door hinge
With round holes
Overall size: 123 x 37 x 68 x 4 mm
STAINLESS STEEL
Flush mounting only

#42.7294 strap hinge
Overall size: 204 x 48 x 106 x 5 mm
Specify square or round holes
STAINLESS STEEL
Flush Only

#42.7294 strap hinge
Overall size: 204 x 48 x 106 x 5 mm
Specify square or round holes
STAINLESS STEEL
Flush Only

#42.48105 STAINLESS STEEL
Offset 1 5/8" only
Specify LEFT OR RIGHT

#42.48105 STAINLESS STEEL
Offset 1 5/8" only
Specify LEFT OR RIGHT



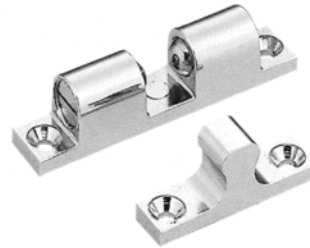
Izerwaren
Order
numbers

Tension catches
316 stainless steel housing, ball
304 stainless springs
Tension adjustable
Seawater resistant

29.040 Tension Catch with Strike 43 mm
1 11/16 x 5/16 x 5/16 inch
Adjustable force, Stainless Steel

29.041 Strike Separate for 43 mm unit

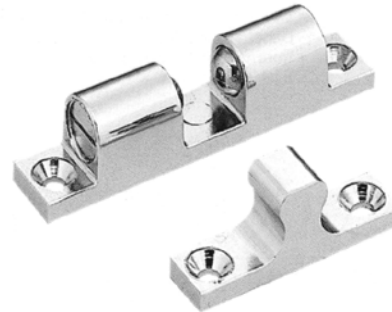
STAINLESS STEEL TENSION CATCHES



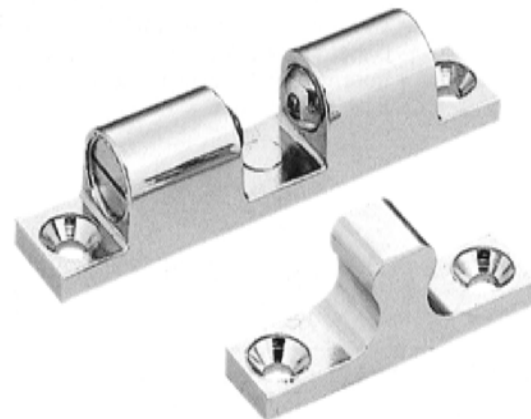
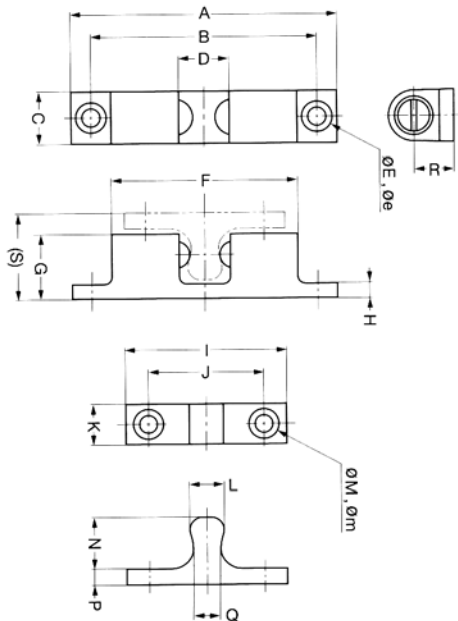
#29.040 Tension Catch; Strike included
Sizes: A= 43 mm long, (1 11/16")
K= 7.5 mm wide (5/16")
G= 7.5 mm high (5/16")

29.050 Tension Catch with Strike 50 mm
1 31/32 x 3/8 x 3/8 inch
Adjustable force, Stainless Steel

29.051 Strike Separate for 50 mm unit



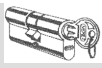
#29.050 Tension Catch; Strike included
Sizes: A= 50 mm long, (1 31/32")
K= 9 mm wide (3/8")
G= 9.3 mm high (3/8")



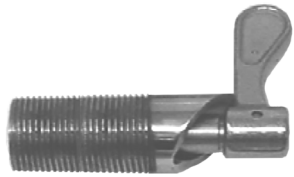
29.070 Tension Catch with Strike 70 mm
2 3/4 x 7/16 x 1/2 inch
Adjustable force, Stainless Steel

29.071 Strike Separate for 70 mm unit

#29.070 Tension Catch; Strike included
Sizes: A= 70 mm long, (2 3/4")
K= 10.5 mm wide (7/16")
G= 13 mm high (1/2")

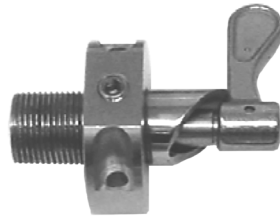


Izerwaren
Order
numbers

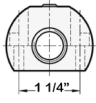
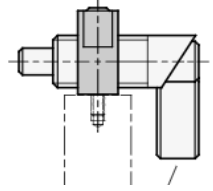


#47.281 Plunger threaded M20 x 1.5;

47.281



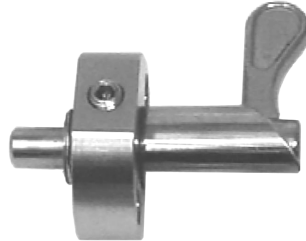
#47.281 Plunger with #47.293 Bracket for top mounting threaded M20 x 1.5; Set screw threaded M8



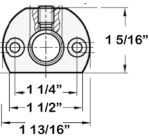
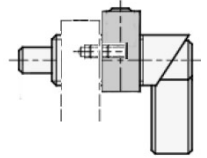
Set screw M8

47.293 Bracket for top mounting 15 mm thick x 46 mm wide x 33 mm

47.293

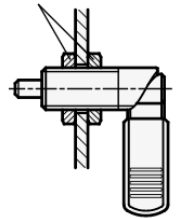
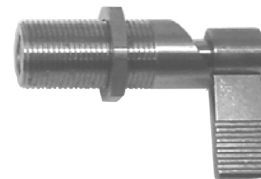
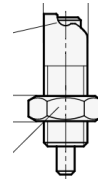
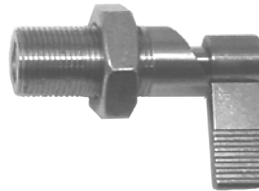


#47.281 Plunger with #47.294 Bracket for side mounting. threaded M20 x 1.5; Set screw threaded M8

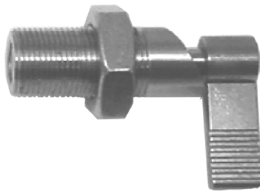


47.294 Bracket for side mounting. 15 mm thick x 46 mm wide x 33 mm Set Screw M8

47.294



#47.281 Indexing Plunger with 10 mm thick nut #47.291
#47.281 Indexing Plunger with 5 mm thin nut #47.292 threaded M20 x 1.5;



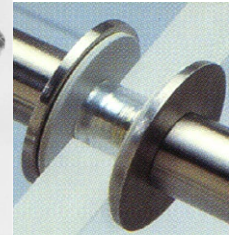
Nut M20; 10 mm thick #47.291

47.291

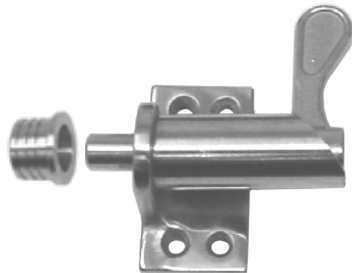


Nut M20; 5 mm thick #47.292

47.292



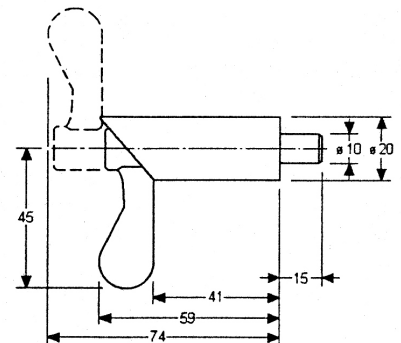
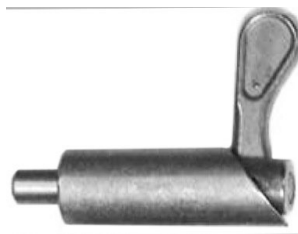
#47.281 Spring Loaded Indexing Plunger threaded M20' x 1.5 Shown with 50 mm diameter threaded thrust roses #15.050 through 10 mm Acrylic. Stainless steel; throw: 5/8"; body diameter: 3/4" Body length: 3"; threaded M20 x 1.5



Plunger threaded to bracket #64.741 Receiver #23.2424



Bracket #64.741
Stainless steel



#47.280 Indexing plunger; stainless steel for weld on apps. Dimensions in mm. Throw: 5/8"; Diameter: 3/4"; Body length: 2 3/8" Spring loaded; Body: 59 mm long; 20 mm diameter; Pin: 10 mm diameter.



- Stylish latch for transom and swim platform doors
- Intuitive operation with push button and turn handle actuation
- Premium finish and corrosion resistance

Material and Finish:

Handle, Keeper, Base button and Sleeve: 316 grade stainless steel electropolished

Keeper insert: Nylon black

O-ring: EPDM natural

Screw, Spring and Nut: 304 Stainless steel passivated

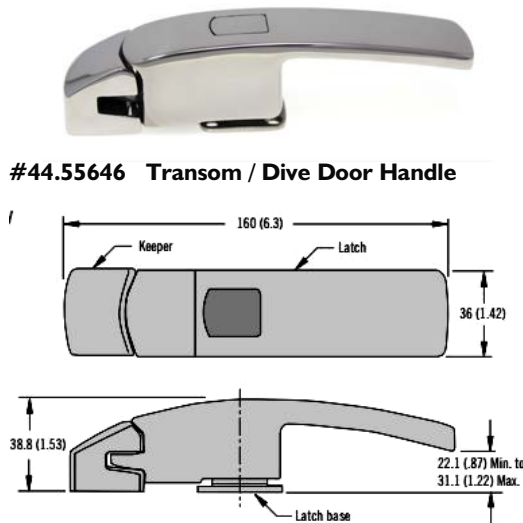
Installation Notes

Fine tuning latch and keeper alignment:

To increase the height of the latch by 3.75mm (.0156 inch), rotate the base of latch 90 degrees clockwise

To decrease the height of the latch by 3.75 (.0156), rotate the base of latch 90 degrees counter clockwise

For every 360 degree turn, the height adjusts 1.5 (.0625)



Install by unscrewing base and adjust height

#44.55646 Transom Bolt / Transom Dive Door Handle
Body: 5.3" x 1.42" Both handed; 316 stainless steel
Medium Duty see page 5-5-1 A and 5-5-1-B for other designs



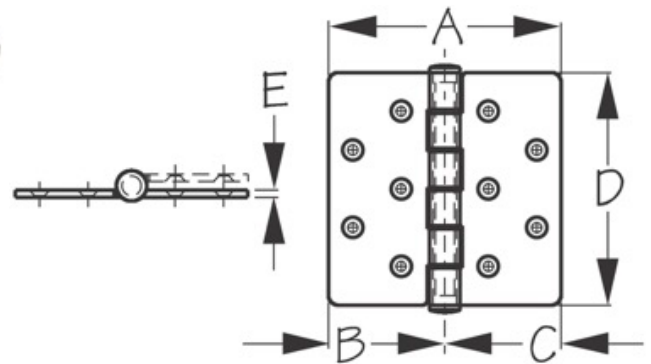


Polished Cast 316 Stainless Steel Hinges with Nylon Bearing. 1/8 and 3/16 inch thick.



Izerwaren part #	Description	Wide A	High D	Thickness E
#42.05242	316 stainless steel hinge	3	3	1/8
#42.05243	316 stainless steel hinge	3	4	1/8
#42.05244	316 stainless steel hinge	4	4	1/8
#42.05246	316 stainless steel hinge	5	5	1/8

Cast 316 stainless steel.



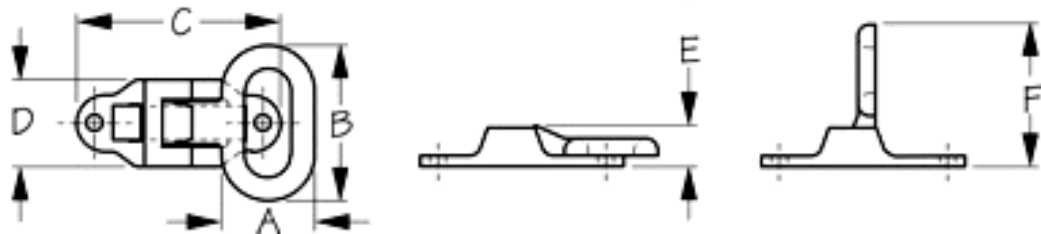
Izerwaren part #	Description	Wide A	High D	Thickness E
#42.05237	316 stainless steel hinge	5.5	4.5	3/16
#42.05235	316 stainless steel hinge	4.5	4.5	3/16

Cast 316 stainless steel.



Izerwaren
Order
numbers

#48.2802



#48.2802 Folding Step. 3 3/8" x 4 3/8".
Spring loaded. 316 stainless steel.

Dimensions:

- A= 2 inch / 50 mm
- B= 3 3/8 inch / 85 mm
- C= 4 3/8 inch / 111 mm
- D= 1 7/8 inch / 48 mm
- E= 7/8 inch / 22 mm
- F= 3 7/16 inch / 87 mm

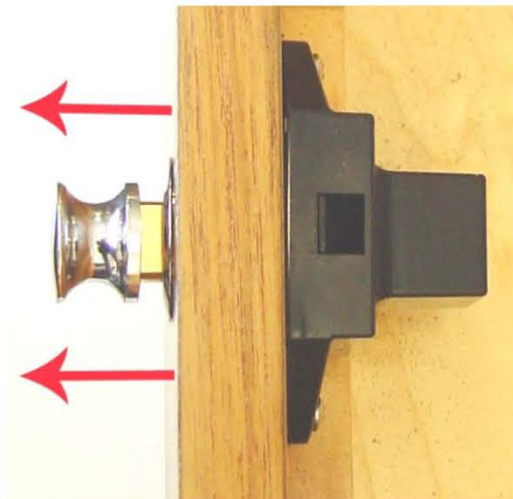


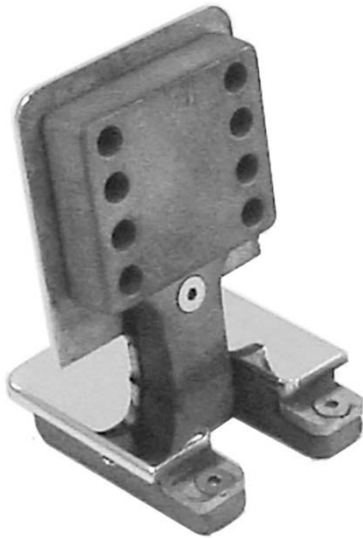
NEW!



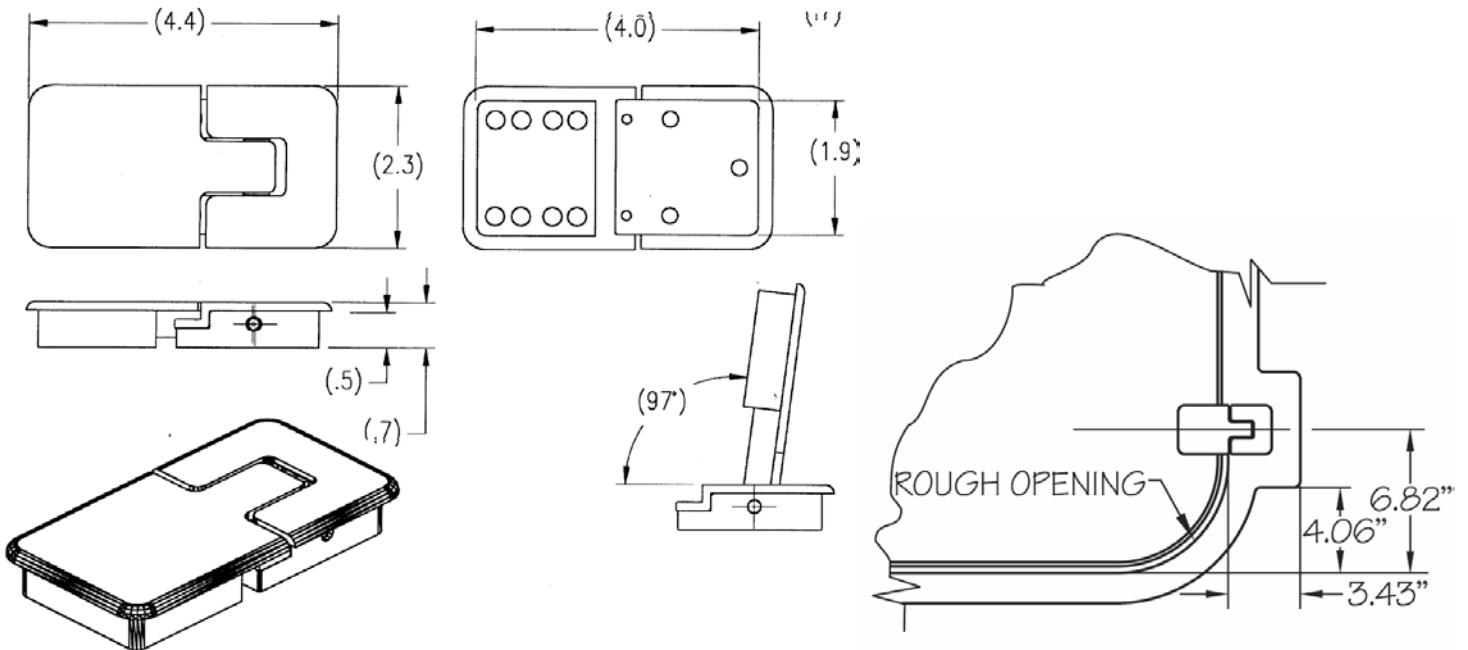
**HIGH QUALITY
CABINET LATCH**

**WITH
FLUSH KNOB &
SLAM ACTION**





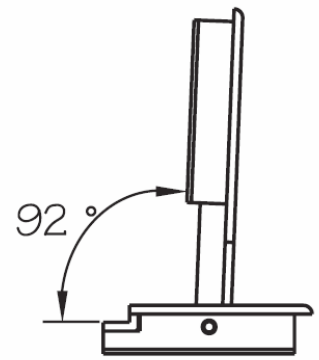
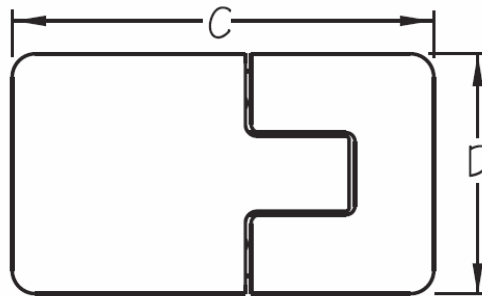
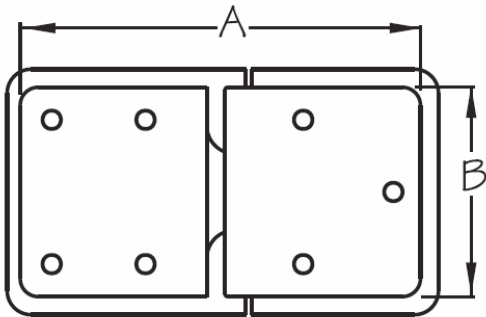
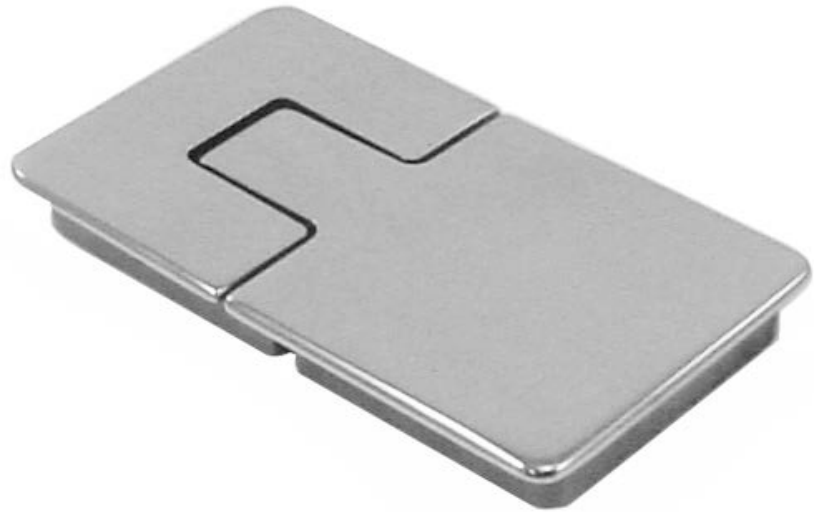
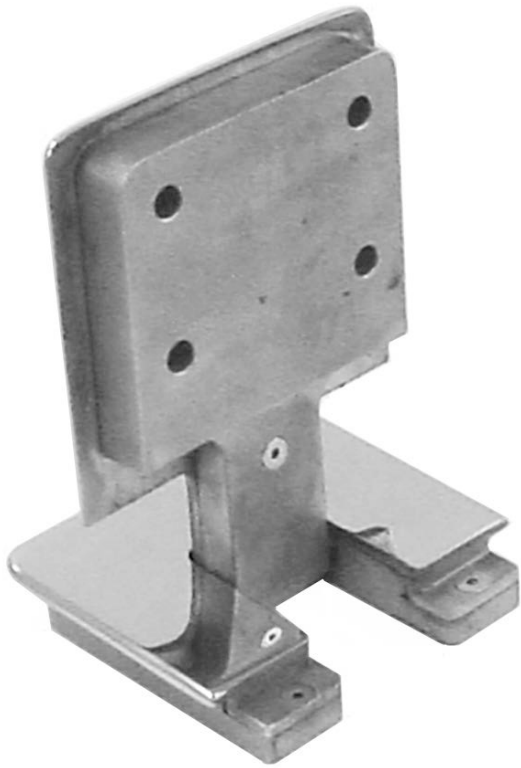
#42.894 Flush Deck Hinge 2"x 4" Opening: 97 degree; 316 stainless steel



#42.894 Flush Deck Hinge; Style: 2"x 4" Opening: 97 degree; 316 stainless steel

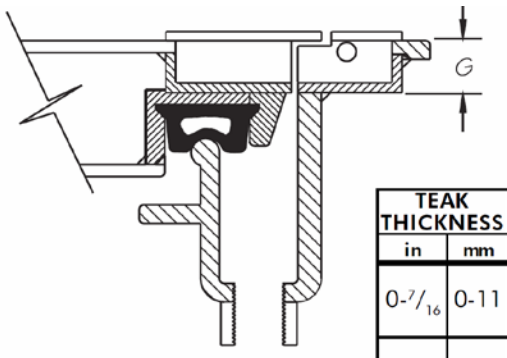


Teak Hatch with Hatch hinges #42.894 and Lift Ring #43.555 (see page 4-3-4-0)

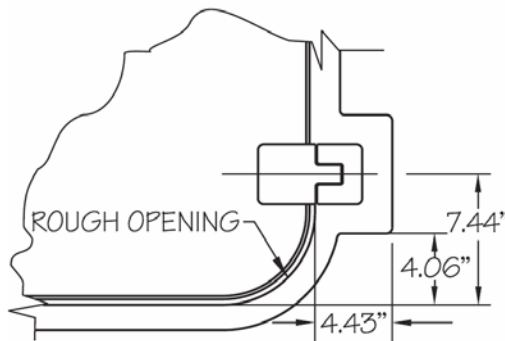


#42.894 hatch hinge; 92 degree opening A= 5.29 inch; B= 2.65 inch C= 5.84 inch D= 3.20 inch

Style 3 x 6



TEAK THICKNESS	
in	mm
0.7/16	0-11



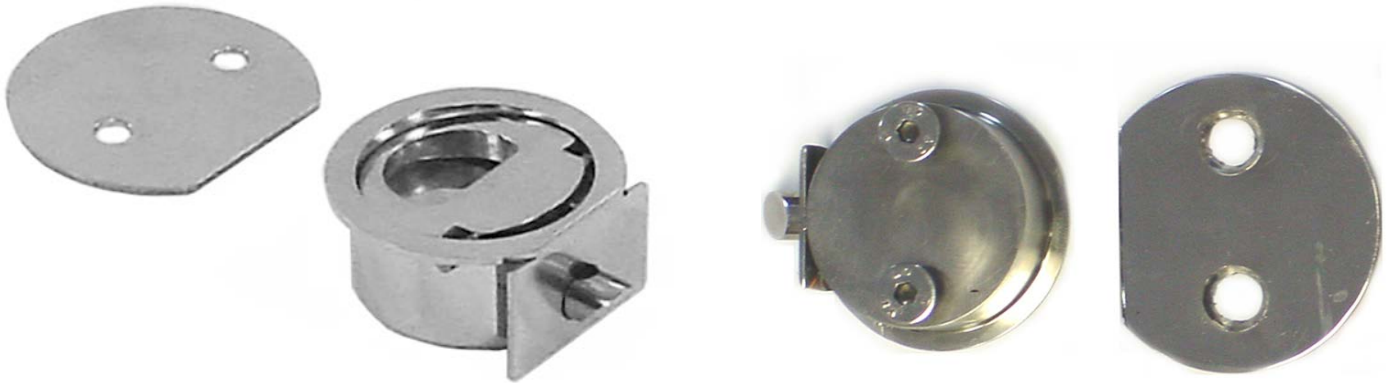
Mounting Suggestions for 3 x 6 style hinge.

Hatch Cam Lock #115.43

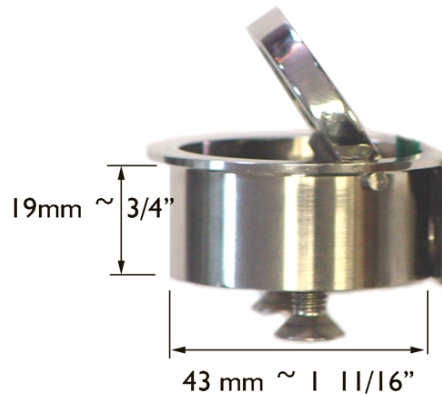
316 stainless steel hinge has loose top plates



Flush Mounting Slamlatch. 316 stainless steel



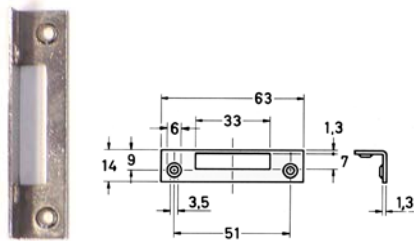
#43.505 Flush slamlatch 316 stainless steel with backing plate. Strike plate separate



#43.505 Cabinet latch. Flush Slam Latch Mirror Polished 316 Stainless Steel Drill hole: 1 11/16" ~ 43 mm
Designed for 3/4 inch ~ 19 mm thick material. All parts high quality 316 stainless steel.
Strike plates:



#22.098S Brass nickel flush strike
#23.012 brass nickel



#22.0971 Brass nickel angle strike

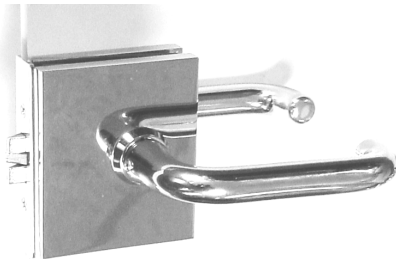


#22.099 Roller Bolt strike stainless steel

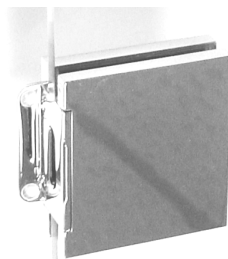
Exclusive Glass Door Hardware by Izerwaren.Com



BRASS PLATED GLASS DOOR LATCHES for 3/8 to 1/2 inch thick glass



#82.511 Shower door latch;
Material: Brass, Chrome Plated finish
For medium size cabin doors and shower doors
Levers depicted: #12.045; Sold separate

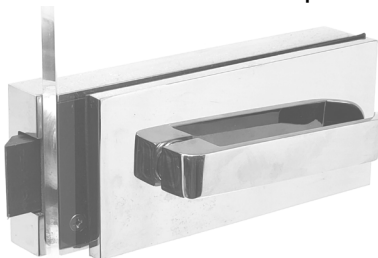


#82.1124 Strike Box

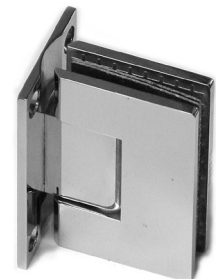


Latch #82.511 with levers #12.045
For 3/8 inch thick glass

316 STAINLESS STEEL GLASS DOOR HINGES for 3/8 to 1/2 inch thick glass



#84.D51 Latch SET exterior grade with strike box #84.D30
Lever #12.555 depicted.

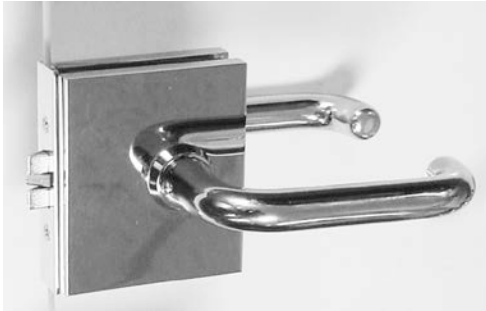


Wall to glass hinge #85.112
316 Stainless steel

Exclusive Glass Door Hardware by Izerwaren.Com

BRASS PLATED GLASS DOOR LATCHES

for 3/8 to 1/2 inch thick glass



#82.511 Shower door latch;

Material: Brass, Chrome Plated finish
For medium size cabin doors and shower doors
Levers depicted: #12.045; Sold separate



#82.1124 Strike Box



#82.755 set with strike box;
for light duty and small size doors
chrome plated brass
Lever depicted: #18.740 sold separately



#84.D22 Latch set exterior grade; strike box #84.D30
Satin chrome plated finish
for **full size door** marine and shower door applications
Lever #16.F10 depicted; sold separate



#85.719 Glass clamping bracket Various sizes
Material: stainless steel, Satin or Mirror Polished.



#82.148



#82.149



#82.147



#82.149A

Brass chrome plated, spring loaded 76 mm high

316 STAINLESS STEEL GLASS DOOR HINGES

for 3/8 to 1/2 inch thick glass



Wall to glass hinge #85.112



Glass to glass #85.121



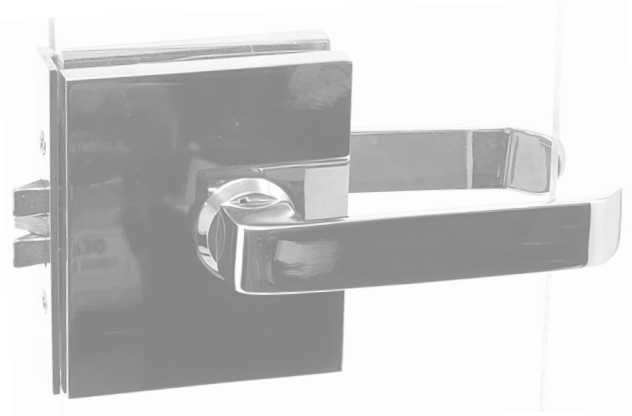
45 degree glass to glass #85.109



Pivot hinge #85.926

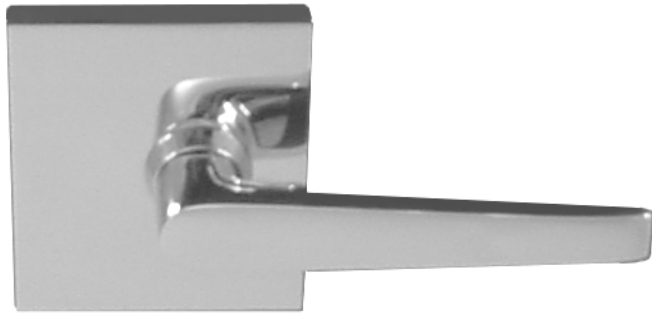


Latch #82.511 with levers #12.045
For 3/8 inch thick glass



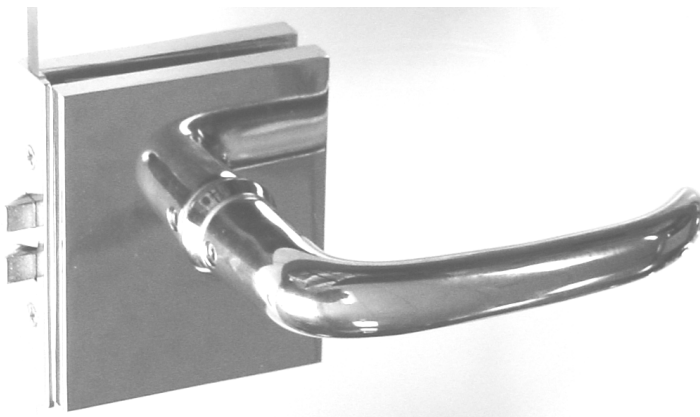
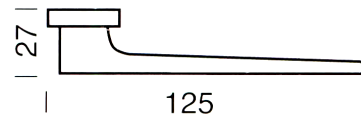
Glass door latch #82.511

Lever #12.555; 120 mm long; stands off 25 mm; 20 mm wide; Rounded front

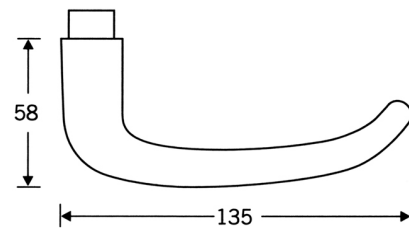


Glass door latch #82.511

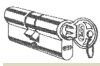
Lever #11.1341; 125 mm overall; extend 25 mm or 1 inch from surface



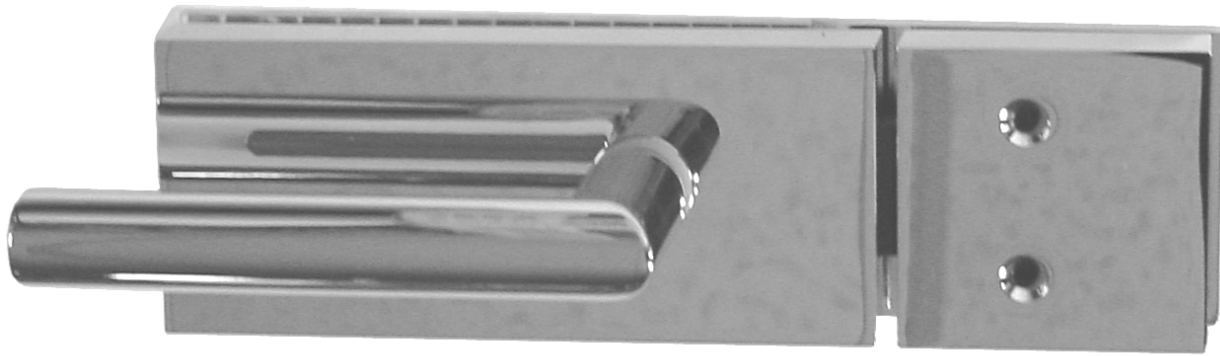
#82.511 Glass Door Latch



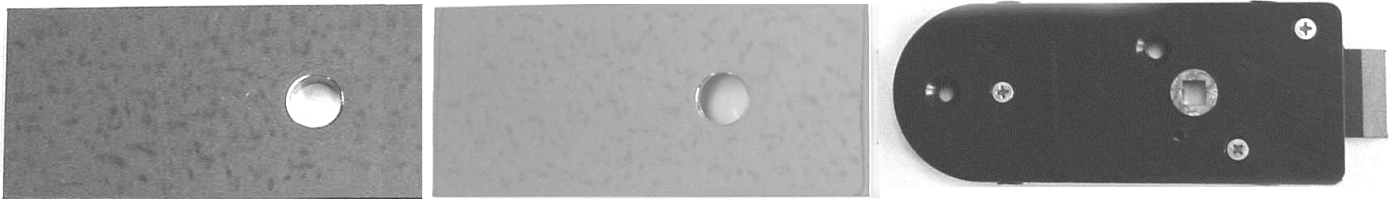
#12.527 with stainless steel levers



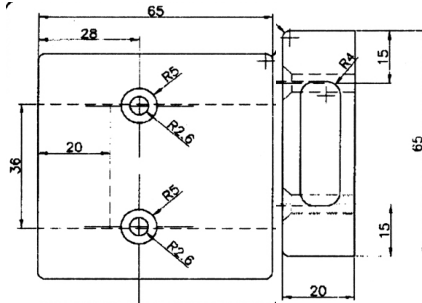
**Shower Door Latch Specially Designed for a Marine Type of Environment
All Brass Parts with Stainless Steel Levers and Delrin Latch bolt and Casing**



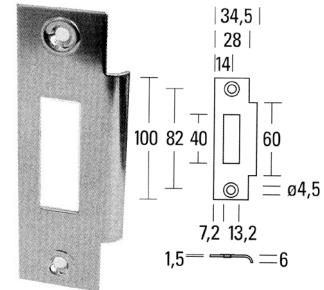
SET: #84.D51; Glass Door latch set with strike box for 10/12 mm glass doors.
Polished chrome plated brass caps, showing polished stainless steel 'L' shaped levers #12.576;
With polished chrome plated Strike Box #84.D31
Casing Lock: 159 x 65 mm; Casing Strike Box: 65 x 65 mm.



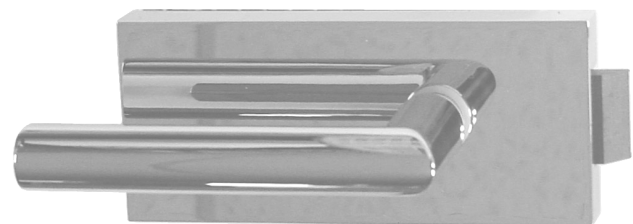
84.D22: Mechanism +2 cover plates; screws, gaskets. Passage model only. Please Specify finish.



Strike Box #84.D30 , brass chrome plated; 65 x 65 x 20 mm;
Specify finish!



Strike Plate #43.142
100 x 34.5 mm



#84.D41 Mechanisms with covers and levers #12.555,

Mechanism #84.D41 with covers and levers #12.576

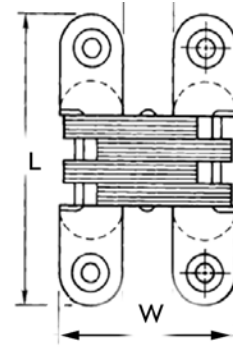
More Lever Options Depicted on Page 8-2-C-0



IZERWAREN
Order
number

“SOSS” type invisible hinge

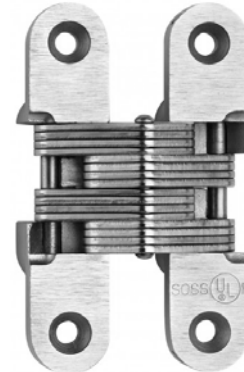
41.220 Size hinge:
L: 5 1/2 inch x W: 3 53/64 inch
For full size doors
Door thickness: 2 inch
180 degree opening
Finish: 316 satin stainless steel



#41.220 Invisible Hinge, minimum door thickness 2 inch. Details: see page: 4-1-1-1-2

“SOSS” type invisible hinge

41.418 Size hinge:
L: 4 39/64 inch x W: 3 7/64 inch
For full size doors
Door thickness: 2 inch
180 degree opening
Finish: 316 satin stainless steel



#41.418 Invisible Hinge,
minimum door thickness 2 inch.
Details: see page 4-1-1-1-A

#41.417 Invisible Hinge,
minimum door thickness 1 3/8”
Details: see page 4-1-1-1-B

“SOSS” type invisible hinge

41.417 Size hinge:
L: 4 5/8 inch x W: 2 3/4 inch
For full size doors
Door thickness: 1 3/8 inch
180 degree opening
Finish: 316 satin stainless steel

“SOSS” type invisible hinge

41.221 Size hinge:
L: 3 3/4 inch x W: 2 3/64 inch
Door thickness: 1 1/8 inch
180 degree opening
Finish: 316 satin stainless steel



#41.221 Invisible Hinge,
minimum door thickness 1 1/8 inch
Details: see page 4-1-1-1-C

#41.208 Invisible Hinge
minimum door thickness 1 inch
Details: see page 4-1-1-1-D

“SOSS” type invisible hinge

41.208 Size hinge:
L: 2 3/4 inch x W: 1 45/64 inch
Door thickness: 1 inch
180 degree opening
Finish: 316 satin stainless steel

“SOSS” type invisible hinge

41.204 Size hinge:
L: 2 3/8 inch x W: 1 3/8 inch
Door thickness: 3/4 inch
180 degree opening
Finish: 316 satin stainless steel

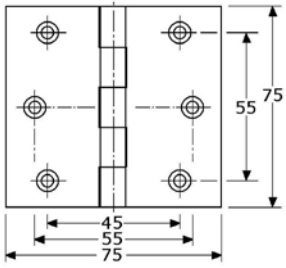


#41.204 Invisible Hinge
minimum door thickness 3/4 inch
Details: see page 4-1-1-1-E

#41.101 Invisible Hinge
minimum door thickness 5/8 inch.
Details: see page 4-1-1-1-G

“SOSS” type invisible hinge

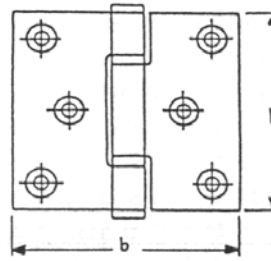
41.101 Size hinge:
L: 1 11/16 inch x W: 1 3/64 inch
Door thickness: 5/8 inch
180 degree opening
Finish: 316 satin stainless steel
Max. Door weight: 7 kg / 15.4 lbs
using 3 hinges
Finish: 316 satin stainless steel



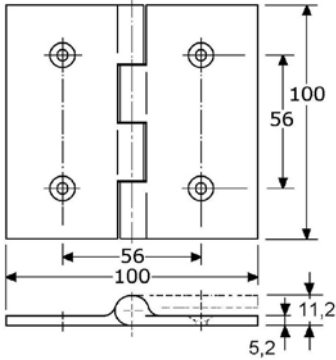
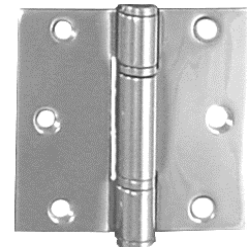
#42.578 - hinge 75 x 75 x 2.5 mm;
3" x 3" x 3/32"



medium duty, for cabin doors
316 stainless steel.



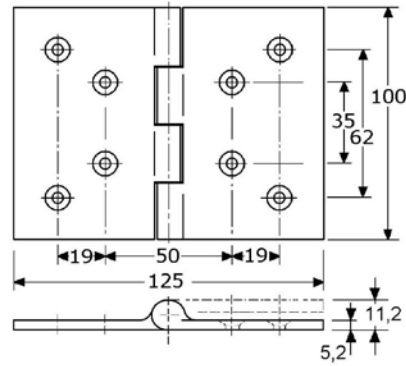
#42.215 hinge 76 x 76 x 2.5 mm pin: 12 mm diameter
3" x 3" x 3/32"



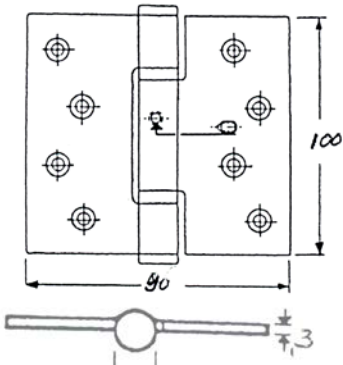
#42.287 - 100 mm x 100 mm x 5.2 mm;
4" x 4" x 3/16"



heavy duty, for cabin and weather doors
316 stainless steel.



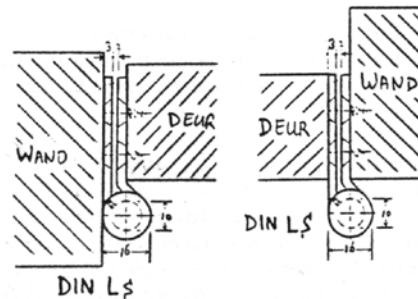
#42.262 - 100 mm x 125 mm x 5.2 mm;
5" x 4" x 3/16"



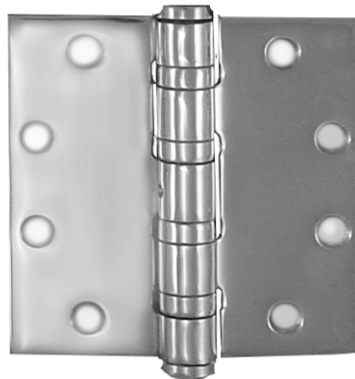
#42.236 Hinge 90 x 100 x 3 mm Pin: 16 mm
Pin has set screw, cannot be removed
3 1/2" x 4" x 1/8"



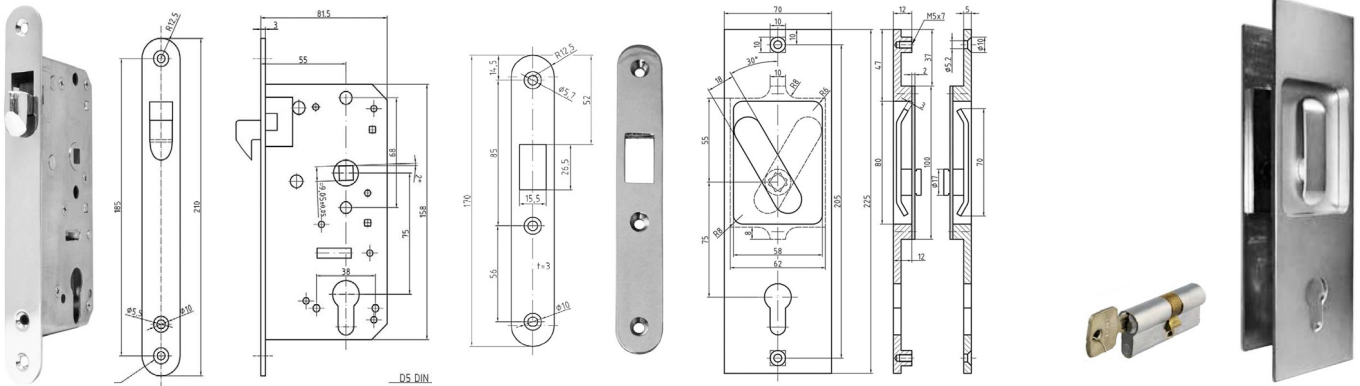
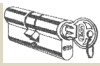
316 stainless steel.



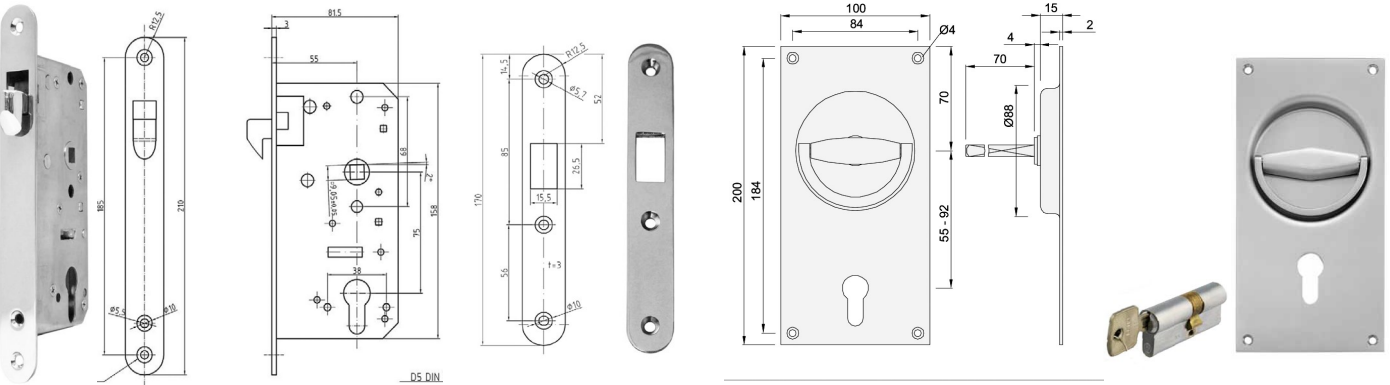
42.237 Hinge 90 x 100 x 3 mm offset LEFT HAND (showing)
42.238 Hinge 90 x 100 x 3 mm offset RIGHT HAND



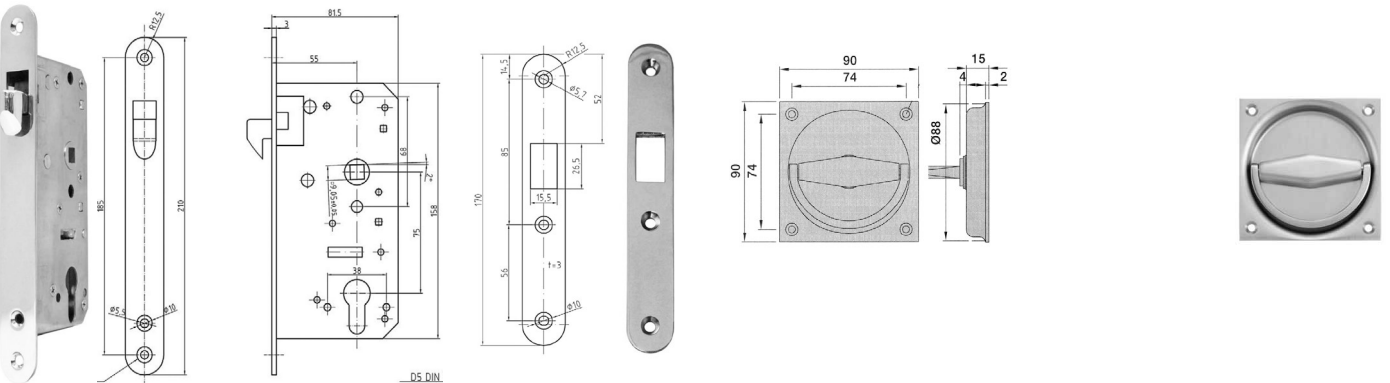
#42.1150 Hinge 4.5" x 4.5" x 3/16"
with stainless steel ball bearings
316 stainless steel.



#13.81Z6 SET Stainless steel sliding entry mortise lock and trim. Minimum Door thickness: 1 3/4". This Set Consists of: #13.81Z: Sliding door lock with backset 55 mm; Strike plate; Profile cylinder keyway; #13.610Z Flush Trim Set This Flush Lever Set protrudes from surface of the door 3/16 inch on each side; Minimum door thickness: 1 3/4 inch. Size plate: 2 3/4 x 8 7/8 inch



Entry Lock SET #13.81Z7; 55 mm backset; Minimum Door thickness: 1 3/4"; With two #51.004 Stainless Steel Flush Levers on Plates. Keyway included. This Flush Set protrudes from surface door: 3/32 inch; Minimum door thickness: 1 3/4 inch. Size plate: 3 15/16 x 7 7/8 inch .



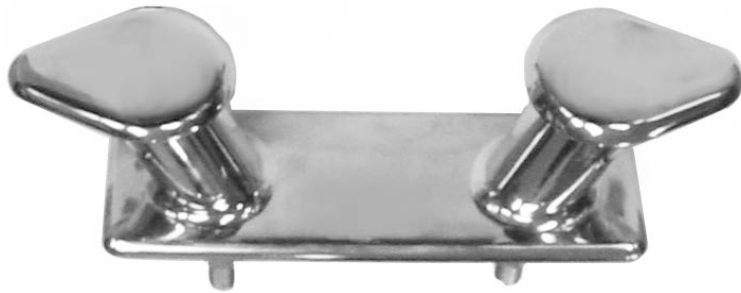
Passage Lock Set #13.81F8; 55 mm backset; Door thickness: 1 3/4"; With two #51.016 Stainless Steel Flush Levers on Plates This Flush Set protrudes from surface door 3/32 inch on each side; Minimum door thickness: 1 3/4 inch. Size plate: 2 9/16 x 2 9/16 inch.



#18.3786 SET Entry Sliding door lock
Min. door thickness: 38 mm or 1 1/2 inch

#18.3838 Privacy Sliding Door lock
min. door thickness: 25 mm or 1 inch

#18.3796 Passage Sliding door lock
min. door thickness: 25 mm



#92.140 Bollard. Size 14 inch
Size: 14" over all length. Height: 4 1/4"
Base Plate: 11" x 3 1/2"

92.140
Bollard 14" overall

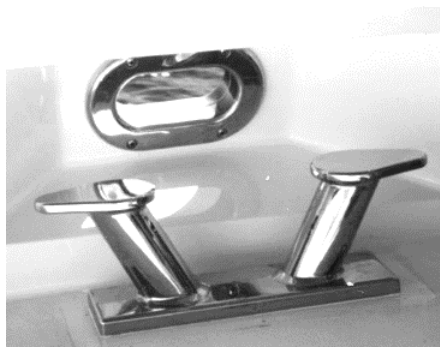
Distances mounting holes: 6 1/4"
for 5/8" inch bolts
Plate: 11 x 3 1/2"
316 stainless steel Bollards
Mirror polished



#92.911 Bollard 18 inch.
Base plate: 13 1/2 inch x 4 inch.
Ears: Raised 5 inch from bottom plate; 17.5 inch wide.

92.911
Bollard 18" overall

distances mounting holes: 5"
with 5/8" inch bolts
316 stainless steel Bollards
Mirror polished





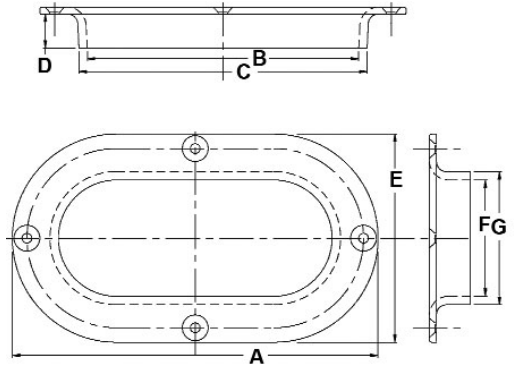
Izerwaren
Order
numbers

316 stainless steel
Hawse pipes
Mirror polished
Sizes in inches & mm

92.HPS8 **Hawse Pipe**
165 X 242 mm
316 s/s mating hawse
pipe, set 6.5 x 9.5 inch

92.HPS7 **Hawse Pipe**
127 x 242 mm
316 s/s mating hawse
pipe, set 5.75 x 9.5 inch

92.HPS6 **Hawse Pipe**
102 x 178 mm
316 s/s mating hawse
pipe, set 4 x 7 inch



#92.HPS8
316 s/s mating hawse pipe, set
Outside: 6.5 x 9.5 inch
Opening: 3 3/4 x 6 7/8 inch

#92.HPS7
316 s/s mating hawse pipe, set
Outside: 5.75 x 9.5 inch
Opening: 3 x 6 7/8 inch

For #92.HPS6
316 s/s mating hawse pipe, set
Outside: 4 x 7 inch
Opening: 1 9/16 x 4 9/16 inch

For #92.HPS8
A= 9.5 inch
E= 6.5 inch
Hawse opening:
: 3 3/4 x 6 7/8 inch
Thickness Mating Sets:
D= FROM 3 1/4 TO 1 5/8 inch

For #92.HPS7
A= 9.5 inch
E= 5.75 inch
Hawse opening:
3 x 6 7/8 inch
Thickness Mating Sets:
D= FROM 3. 1/4 TO 1 5/8 inch

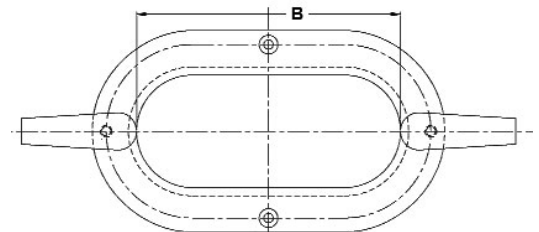
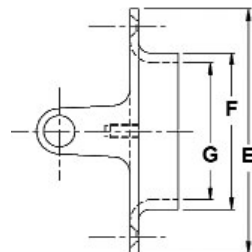
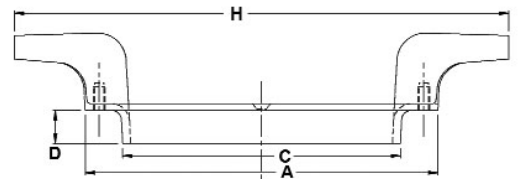
For #92.HPS6
A= 7 inch
E= 4 inch
Hawse opening:
1 9/16 x 4 9/16 inch
Thickness Mating Sets:
D= FROM 2 1/2 TO 1 1/4 inch

92.HPCS3 **Cleat Hawse Pipe**
250 x 132 mm

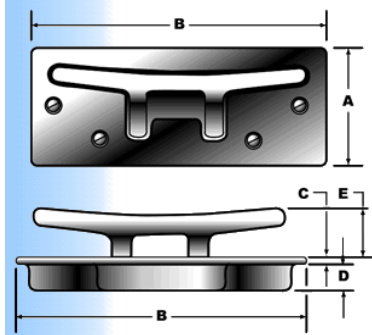
92.HPCS3 Cleat Hawse Pipe



5.25 x 9.25 inch OD.
2.936 x 7.1265 inch ID.
3.115 x 7.5 inch Opening
H= Distance between ears: 14 inch



#92.HPCS3



Order Numbers:

Cleat Size	Width	Length	Thickness	Recess Depth	Cleat Height	Weight (lbs)	
SIZE	A	B	C	D	E		
#92.450	4.5"	2-1/2 - 2.500	5-1/2 - 5.500	1/8 - .125	5/8 - .625	3/4 - .750	1.0
#92.600	6"	3-1/4 - 3.250	7-1/2 - 7.500	1/8 - .125	3/4 - .750	1-1/4 - 1.250	2.5
#92.800	8"	3-3/4 - 3.750	9-1/2 - 9.500	1/8 - .125	3/4 - .750	1-1/2 - 1.500	4.25
#92.100	10"	4 - 4.0	11-1/2 - 11.500	1/5 - .20	4/5 - .80	1-4/5 - 1.85	5.2
#92.110	10" HD	5-3/16 - 5.1875	12-1/2 - 12.500	1/4 - .250	1-3/8 - 1.375	2-1/8 - 2.125	12.25

Backing Plates:

Size 4.5" #92.450I

Size 6" #92.600I

Size 8" #92.800I

Size 10" #92.100I

Size 10"HD#92.110I



Oval fold down cleat #93.450 4.5" inch overall
Oval fold down cleat #93.600 6" inch overall

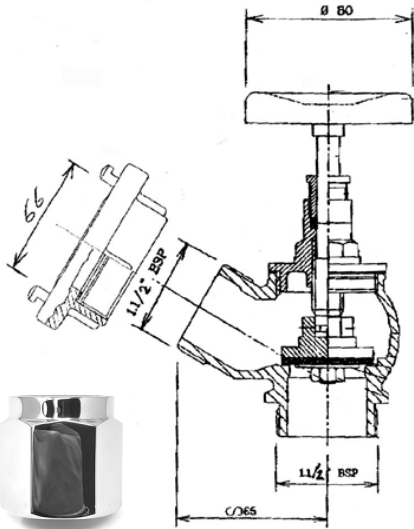




Valves for Fire Fighting



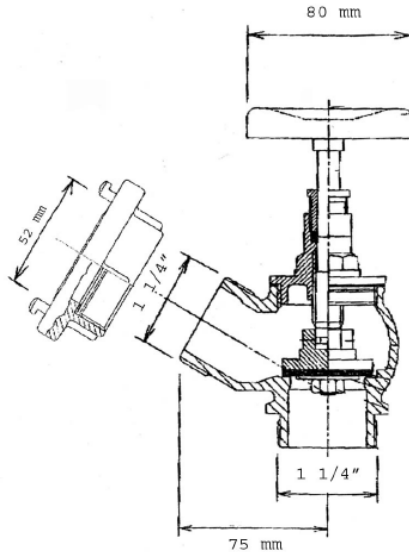
#91.778 Valve + 1 1/2" with N=66 Storz Coupling and Dust cap Steel powder coated turning wheel Thread: 1 1/2" BSP. Valve chrome over brass



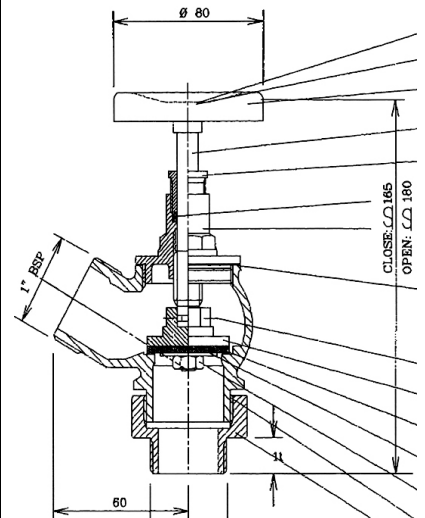
91.CSL female/female adapter 1 1/2" BSP to NPS



#91.778 Valve 1 1/4" showing with Storz coupling and dust cap N=52 Steel powder coated turning wheel Thread: 1 1/4" BSP. Valve chrome plated brass

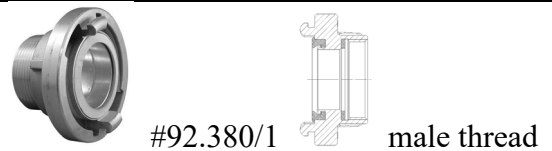


#91.778 Valve 1 inch showing with Stainless Steel Camlock Coupling & cap Steel powder coated turning wheel Thread: 1" BSP. Valve chrome plated brass

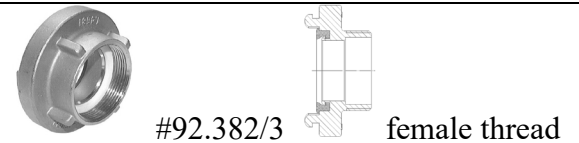


Adapters, Couplings

#92.380 Storz coupling male N=52
#92.381 Storz coupling male N=66
Please specify thread and base material (Brass or Aluminum)



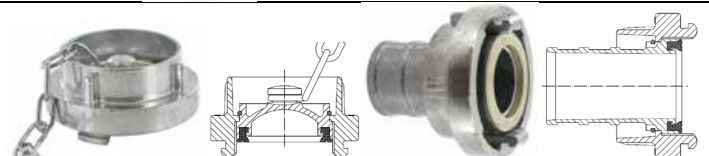
#92.382 Storz coupling female N=52
#92.383 Storz coupling female N=66
Please specify thread and base material (Brass or Aluminum)

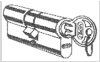


91.CSL female/female adapter from 1 1/2" BSP to NPS 1 1/2" Chrome plated brass



#91.052 Dustcover Storz N-52 (Brass or Aluminum)
#91.066 Dustcover Storz N-66 (Brass or Aluminum)
#91.1431 Storz coupling w. hose barb N-52 to 1/2" hose
#91.1436 Storz coupling w. hose barb N-66 to 1/2" hose





Coast Guard Approved Firefighting Nozzles – Water and AFFF only
Coast Guard Approved AFFF/water Fog Nozzle with horseshoe handle and pistol grip



91.150 Nozzle with horseshoe handle
Dimensions:
Long: 8 3/4" X High 10 3/4"
Weight: 9 lbs
Operating pressure: up to 100 PSI.
Thread: US NPS female 1.75" -9
Combination Fog and Straight Stream
Constant gallonage for either pattern
Chrome Plated Brass

#91.151 Nozzle with Pistol Grip
Dimensions:
Long: 8 3/4" X High 10 3/4"
Weight 14.5 lbs.
Operating pressure: up to 100 PSI.
Thread: US NPS female 1.75" -9
Combination Fog and Straight Stream
Constant gallonage for either pattern
Chrome Plated Brass

#91.151 Nozzle with Piston Grip
#91.380 Storz N=52 coupling
#92.381 Storz N=66 coupling
Dimensions: 8 3/4" X High 10 3/4"
Weight 14.5 lbs.
Storz Coupling weight:
(2 lbs. brass chrome; 0.5 lbs. aluminum)
Operating pressure: up to 100 PSI.
Thread: US NPS female 1.75" -9
To: US NPT 1 1/2" storz coupling

- AFFF - Aqueous Film Forming Foam / Water Fog Nozzle
- Corrosion Resisted Brass Construction - Optional chrome plated:
 - Zytel (nylon) horse handle
 - Flush without shutting down
- Constant Gallonage in all fog and straight stream pattern
 - Rubber like bumper and handle for added protection
 - Double row of molded teeth for excellent fog pattern
 - Combination fog and straight stream
 - Operating pressure up to 100 PSI /
- Option: 1 1/2 Storz fire hose coupling and 1 1/2 hose 18 meter / 59 feet

Size	Thread	Description	Fog Flow @100 PSI	Orifice	Length	Weight	Approval #
1 1/2"	NST(NH)	nozzle	95 GPM	5/8"	10 1/4"	9 lbs.	162.027/13/0
1 1/2"	NST(NH)	nozzle w/pistol grip	95 GPM	15/16"	11 1/2"	14.5 lbs.	162.027/11/0

Use Nozzles with these hoses and valves and container for 59 feet / 18 meter



#91.707 hose 18 m 1 1/2 inch diameter
with Aluminum Storz couplings N=66



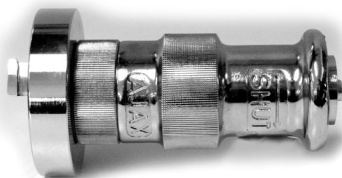
#91.778 Valve 1 1/2"
with Storz couplings and cap N



#91.727 Red Container for 18 meter 1 1/2" hose
Aluminum fire hose container
Details page 9-1-3

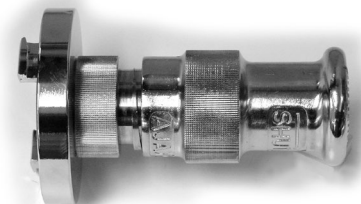
Ajax Nozzle #91.717

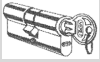
with Storz coupling N-52
Used with 1 1/4 inch ID
firefighting systems
Chrome Plated Brass



Ajax Nozzle #91.718

with Storz coupling N66
Used with 1 1/2 inch ID
firefighting systems
Chrome Plated Brass



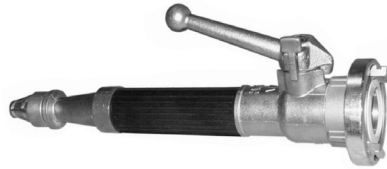


Light Weight Fire Fighting Nozzle

91.521 Lightweight Nozzle.
Aluminum with Polyamide grip.
Couplings sold separate
Nozzle opening: 12 mm diameter.
Flow diameter: 30 mm



#92.521 Nozzle with Ball valve .
Showing with Storz Coupling N=66
Lever operated Blast/Closed/Misting.
Operating pressure: up to 16 bar
Thread: Male 2 1/4 US NPS -11
Size: 380 mm long x 140 mm 15 x 5 1/2 inch.
Weight 2.5 lbs. with alu Storz coupling



#92.521 Nozzle with Ball valve
Showing with Storz Coupling N=66
Lever operated Blast/Closed/Misting.
Operating pressure: up to 16 bar
Size: 380 mm long x 140 mm 15 x 5 1/2 inch.
Weight 2.86 lbs. with alu. Storz coupling
#91.380 Storz N=52 coupling
#92.381 Storz N=66 coupling
(Weights 2 lbs. brass; 0.5 lbs. aluminum)



#91.521 Nozzle w. reduction bushing
Showing with adapter to ISO -4 thread
Lever operated Blast/Closed/Misting.
Operating pressure: up to 16 bar
Size: 380 mm long x 140 mm 15 x 5 1/2 inch.
Weight 2.5 lbs. with aluminum adapter

Adapters, Couplings



92.787 female/female adapter
ISO 2 1/4" -4 to US 2 1/4" NPS-11
Reduction bushing aluminum



#92.381 Storz coupling N=66
male thread (specify)
Storz coupling aluminum



#92.382 N-66
2 1/4" Female thread (specify)
Storz coupling aluminum

Fire Hoses, Containers



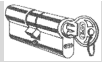
#91.707 Fire Hose with Storz couplings
Standard length: 18 meters or 59 feet
Will fit in container #91.727
Woven NITRIL PVC pinned hose
Work Pressure: 17 bar (break force 50 bar)
Fire Code Rated: NEN-EN14540
#91.715 fire hose non rated



#91.728 Fire Hose container (Made from 1/8 inch Fiberglass for max. 18 meter fire hose; Equipped with stainless steel hinges and lockable stainless steel hasp.
Outside dimension: 457 x 558 x 187 mm (18" x 22" x 7 3/8").



#91.727 Fire Hose container
Made from fire red coated aluminum
#91.707 set 18 meter fire hose will fit.
Outside dimension: 350 x 330 x 80 mm (13 3/4" x 13" x 3 1/8").



Fire Hoses, Containers



#91.707 Fire Hose with Storz couplings N-66 or N-52

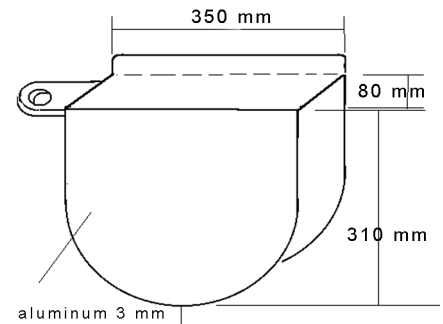
Standard length: 18 meters or 59 feet
 Will fit in container #91.727
 Woven NITRIL PVC pinned hose
 Work Pressure: 17 bar (break force 50 bar)
 Fire Code Rated: NEN-EN14540
 Only in Red and Blue available.

#91.715 fire hose non rated.
 In white as in picture.



#91.728 Fire Hose container (Made from 1/8 inch Fiberglass for max. 18 meter fire hose; Equipped with stainless steel hinges and lockable stainless steel hasp. Outside dimension: 457 x 558 x 187 mm (18" x 22" x 7" 3/8").

Other sizes are available:
 600 x 500 x 180 mm (740 x 760 x 180 mm (



#91.727 Fire Hose container
 Made from fire red coated aluminum
 #91.707 hose set 18 meter will fit.
 Outside dimension:
 350 x 330 x 80 mm (13 3/4" x 13" x 3 1/8").

Adapters, Couplings

<p>#92.380 Storz coupling male N=52 #92.381 Storz coupling male N=66 Please specify thread and base material (Brass or Aluminum)</p>	  #92.380/1 male thread
<p>#92.382 Storz coupling female N=52 #92.383 Storz coupling female N=66 Please specify thread and base material (Brass or Aluminum)</p>	  #92.382/3 female thread
<p># 91.CSL female/female adapter from 1 1/2" BSP to NPS 1 1/2" Chrome plated brass</p>	 #91.CSL
<p>#91.052 Dustcover Storz N-52 (Brass or Aluminum) #91.066 Dustcover Storz N-66 (Brass or Aluminum) #91.1431 Storz coupling w. hose barb N-52 to 1 1/2" hose #91.1436 Storz coupling w. hose barb N-66 to 1 1/2" hose</p>	   



Flange Mounted Valves with Storz Couplings

<p>#91.54091 Size 1 inch: A = 50 C = 115 D = 160/180</p> <p>#91.54092 Size 1 1/2 inch: A = 70 C = 150 D = 175/195</p> <p>#91.54093 Size 2 inch: A = 85 C = 165 D = 195/210 E = 66 Storz Coupling</p> <p>#91.54094 Size 2 1/2 inch: A = 85 C = 165 D = 240/265 E = 81 Storz coupling</p> <p>All Models: Black steel powdercoated wheel</p>	<p>90 degree model with DIN flange</p>	<p style="text-align: right;">*</p> <p>*Actual part has black steel powdercoated wheel Picture may not show actual part</p>
<p>#91.53171 Size 1 inch: A = 70 C = 115 D = 155/170</p> <p>#91.53172 Size 1 1/4 inch: A = 75 C = 140 D = 160/175</p> <p>#91.53173 Size 1 1/2 inch: A = 88 C = 150 D = 175/195 E = 66 Storz Coupling</p> <p>#91.53174 Size 2 inch: A = 100 C = 165 D = 185/205 E = 66 Storz coupling</p> <p>#91.53175 Size 2 1/2 inch: A = 120 C = 185 D = 225/260</p> <p>All Models: Black steel powdercoated wheel</p>	<p>60 degree model with DIN flange</p>	<p style="text-align: right;">*</p> <p>*Actual part has black steel powdercoated wheel Picture may not show actual part I</p>
<p>#91.54881 Size 1 inch: A = 106 C = 115 D = 125/150</p> <p>#91.54882 Size 1 1/4 inch: A = 115 C = 140 D = 130/150</p> <p>#91.54883 Size 1 1/2 inch: A = 125 C = 150 D = 130/150 E = 66 Storz Coupling</p> <p>#91.54884 Size 2 inch: A = 155 C = 165 D = 160/180 E = 66 Storz coupling</p> <p>#91.54885 Size 2 1/2 inch: A = 180 C = 185 D = 250/290</p> <p>All Models: Black steel powdercoated wheel</p>	<p>Straight model with DIN flange</p>	<p style="text-align: right;">*</p> <p>*Actual part has black steel powdercoated wheel Picture may not show actual part</p>
<p>#92.380 Storz coupling male N=52 #92.381 Storz coupling male N=66 Please specify thread and base material (Brass or Aluminum)</p>	<p style="text-align: right;">#92.380/1 male thread</p>	
<p>#92.382 Storz coupling female N=52 #92.383 Storz coupling female N=66 Please specify thread and base material (Brass or Aluminum)</p>	<p style="text-align: right;">#92.382/3 female thread</p>	
<p>#91.052 Dustcover Storz N-52 (Brass or Aluminum) #91.066 Dustcover Storz N-66 (Brass or Aluminum)</p> <p>#91.1431 Storz coupling w. hose barb N-52 to 1 1/2" hose #91.1436 Storz coupling w. hose barb N-66 to 1 1/2" hose</p>		